

DRAWN BY: SP CHECKED BY: WGH

JOB No. 14-026

BOOK

SCALE N.T.S.



GRAPHIC SCALE

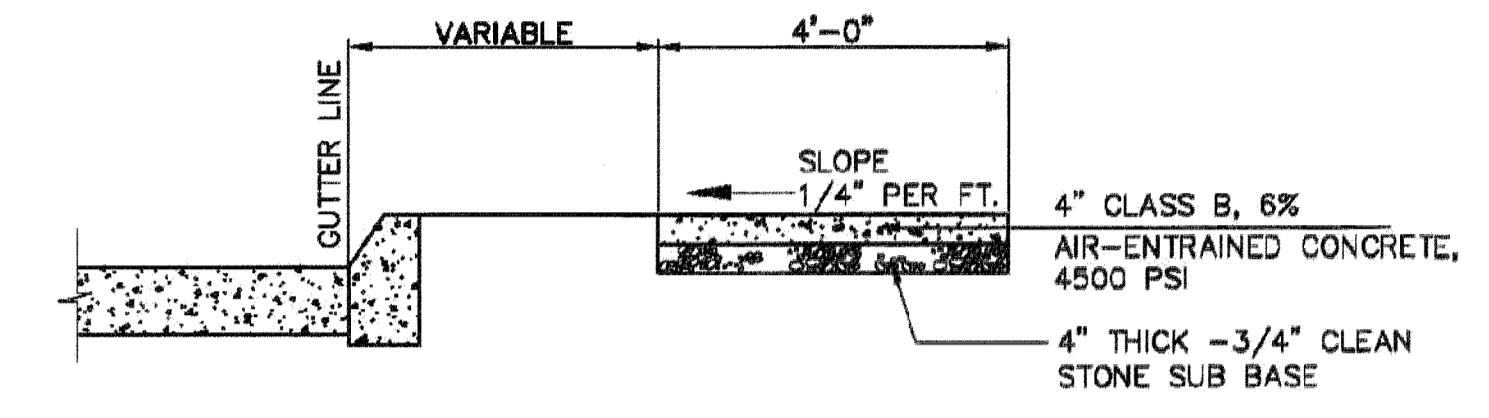
DATE APRIL 30, 2021

REVISIONS
 OCTOBER 20, 2021
 JANUARY 12, 2022
 SEPTEMBER 9, 2022
 SEPTEMBER 30, 2022
 DECEMBER 6, 2022 SIGHT LINE

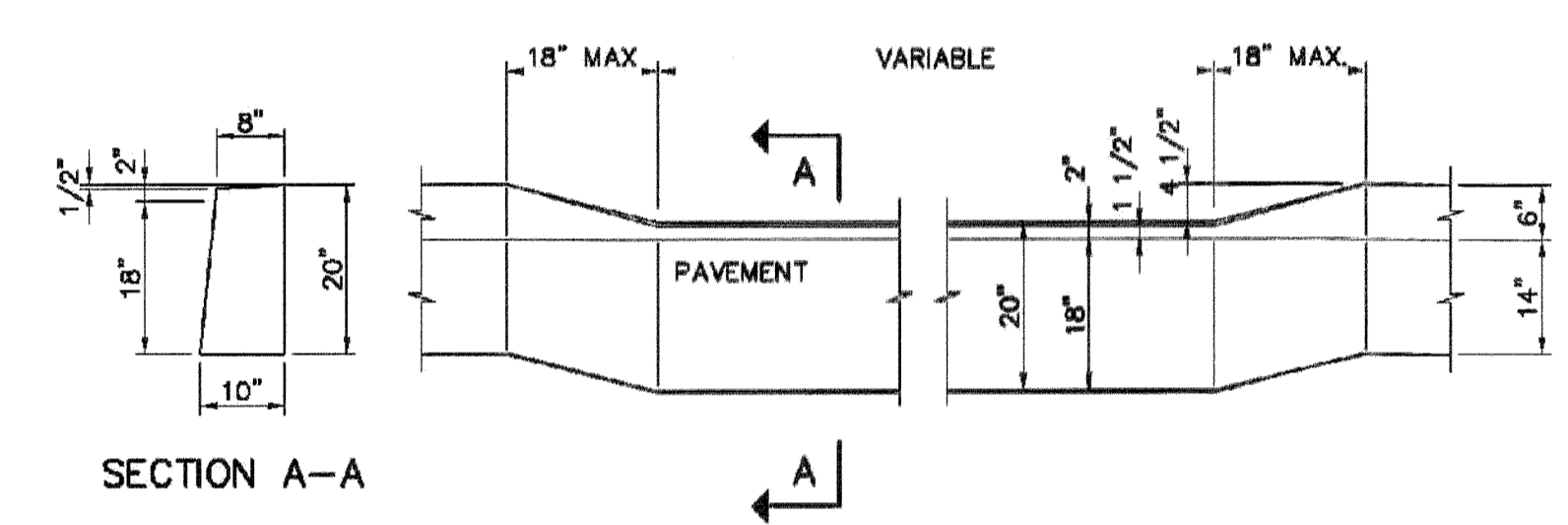
CERTIFICATE OF AUTHORIZATION
 No. 24GA27959700

NOTES

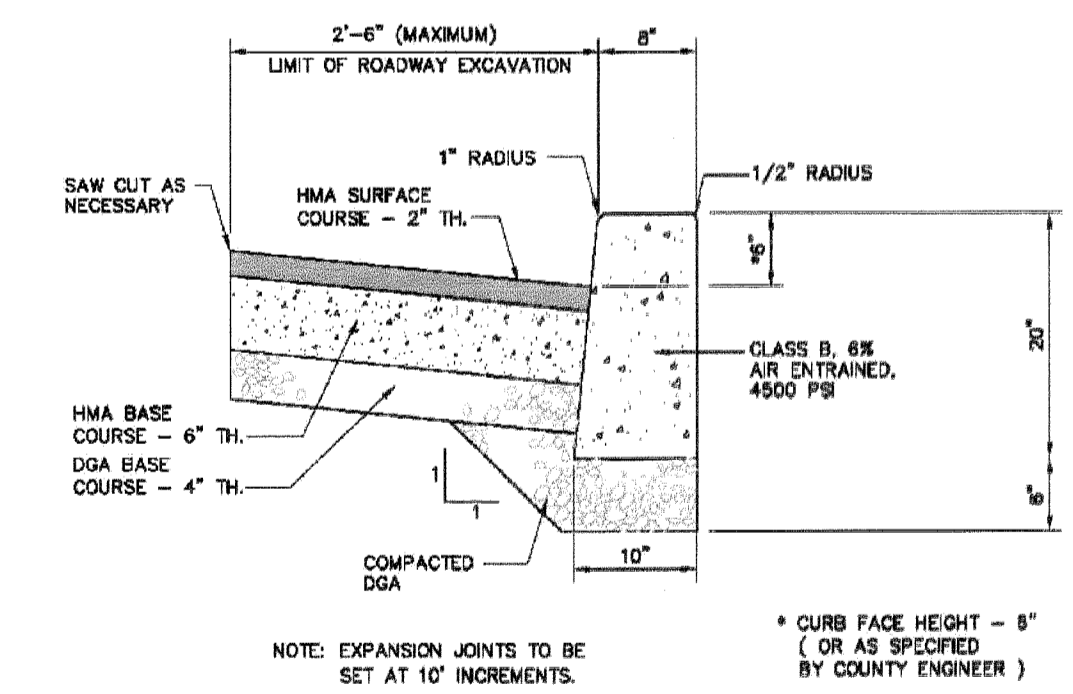
NOTE: DETAILS FOR 'B' INLET AND MANHOLE LOCATED IN UNION COUNTY ROADWAY



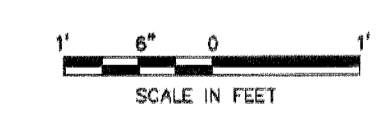
CONCRETE SIDEWALK
 N.T.S.



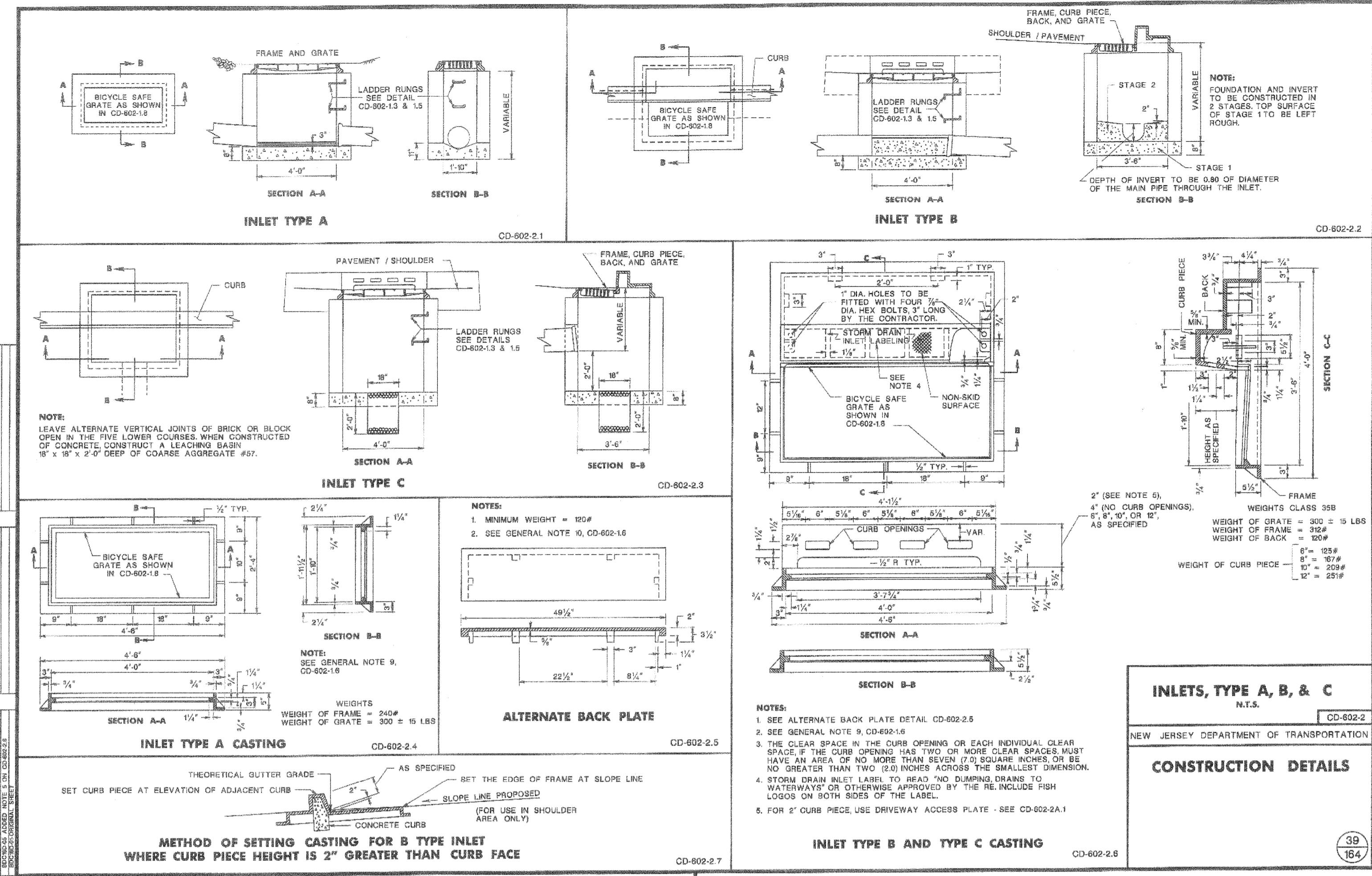
DEPRESSED CURB AT DRIVEWAYS



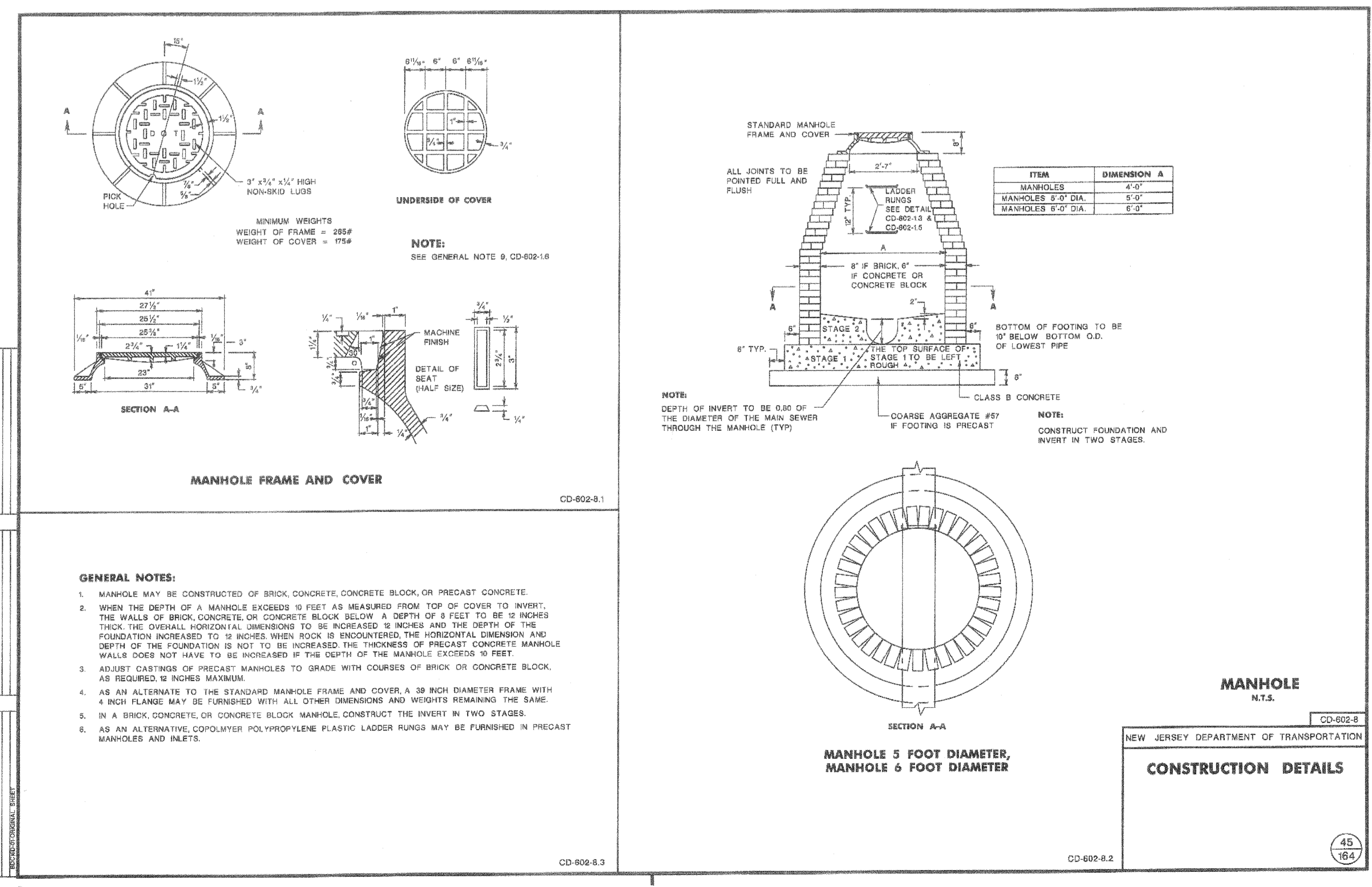
TYPICAL ROADWAY EXCAVATION & RESTORATION AT CURBS



HMA SURFACE COURSE - NJDOT SUPERPAVE HOT MIX ASPHALT SURFACE COURSE (AS PER ENGINEER'S SPECIFICATIONS).
 HMA BASE COURSE - NJDOT SUPERPAVE HOT MIX ASPHALT 19.5 M64 BASE COURSE. NOTE: CONSTRUCT IN LAYERS NOT MORE THAN 3" COMPACTED THICKNESS.
 DGA BASE COURSE - NJDOT DENSE GRADED AGGREGATE BASE COURSE 4" THICK (FORMERLY NJDOT QUARRY PROCESSED STONE)



INLETS, TYPE A, B, & C
 N.T.S.
 NEW JERSEY DEPARTMENT OF TRANSPORTATION
 CONSTRUCTION DETAILS



MANHOLE
 N.T.S.
 NEW JERSEY DEPARTMENT OF TRANSPORTATION
 CONSTRUCTION DETAILS

GENERAL NOTES:
 1. MANHOLE MAY BE CONSTRUCTED OF BRICK, CONCRETE BLOCK, OR PRECAST CONCRETE.
 2. WHEN THE DEPTH OF A MANHOLE EXCEEDS 10 FEET AS MEASURED FROM TOP OF COVER TO INVERT, THE WALLS OF BRICK, CONCRETE OR CONCRETE BLOCK BELOW A DEPTH OF 5 FEET TO BE 12 INCHES THICK. THE OVERALL HORIZONTAL DIMENSIONS TO BE INCREASED 8 INCHES AND THE DEPTH OF THE FOUNDATION INCREASED TO 18 INCHES WHEN ROCK IS ENCOUNTERED. THE HORIZONTAL DIMENSION AND DEPTH OF THE FOUNDATION IS NOT TO BE INCREASED THE THICKNESS OF PRECAST CONCRETE MANHOLE WALLS DOES NOT HAVE TO BE INCREASED IF THE DEPTH OF THE MANHOLE EXCEEDS 10 FEET.
 3. ADJUST CASTING OF PRECAST MANHOLES TO GRADE WITH COURSES OF BRICK OR CONCRETE BLOCK, AS REQUIRED 12 INCHES MAXIMUM.
 4. AS AN ALTERNATE TO THE STANDARD MANHOLE FRAME AND COVER, A 36 INCH DIAMETER FRAME WITH 4 INCH FLANGE MAY BE FURNISHED WITH ALL OTHER DIMENSIONS AND WEIGHTS REMAINING THE SAME.
 5. IN A BRICK, CONCRETE, OR CONCRETE BLOCK MANHOLE, CONSTRUCT THE INVERT IN TWO STAGES.
 6. AS AN ALTERNATIVE, COPOLYMER POLYPROPYLENE PLASTIC LADDER RUNGS MAY BE FURNISHED IN PRECAST MANHOLES AND INLETS.

N:\CAD Drawings\2014\14-026\SUBDIVISION\FINAL\REV5\14-026DETFINAL5.dwg, 12/16/2022 4:54:00 PM

Murphy & Hollows Associates LLC
 CIVIL ENGINEERING AND SURVEYING
 331 ELM STREET, STIRLING, NJ 07980
 908.980.1295 murphyhollows@gmail.com

FINAL MAJOR SUBDIVISION PLAN
 WESTMINSTER PRESBYTERIAN CHURCH
 LOT 32 BLOCK 2006
 MOUNTAIN AVENUE &
 PLAINFIELD AVENUE
 TOWNSHIP OF
 BERKELEY HEIGHTS
 UNION COUNTY
 NEW JERSEY
 CONSTRUCTION DETAILS

AIDAN T. MURPHY
 N.J. LIC. PROFESSIONAL ENGINEER #21319
 N.J. PROFESSIONAL PLANNER #2531

William G. Hollows
 WILLIAM G. HOLLOWES
 N.J. LIC. PROFESSIONAL ENGINEER
 & LAND SURVEYOR #27473
 N.J. PROFESSIONAL PLANNER #2530

FILE SHEET
 LF14-026 15
 OF
 15