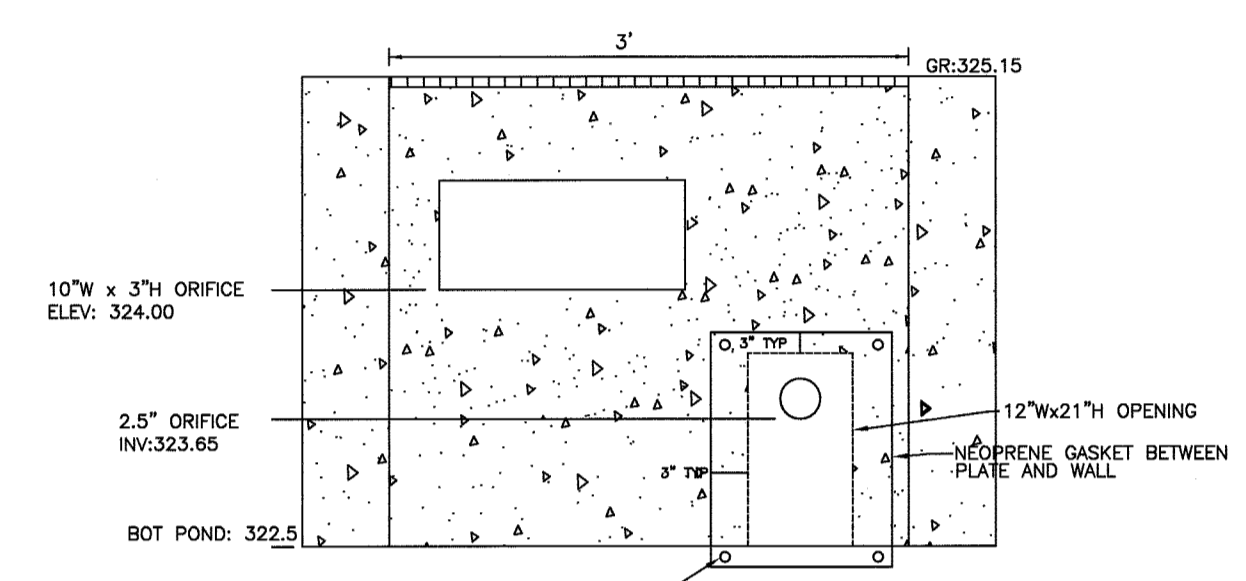
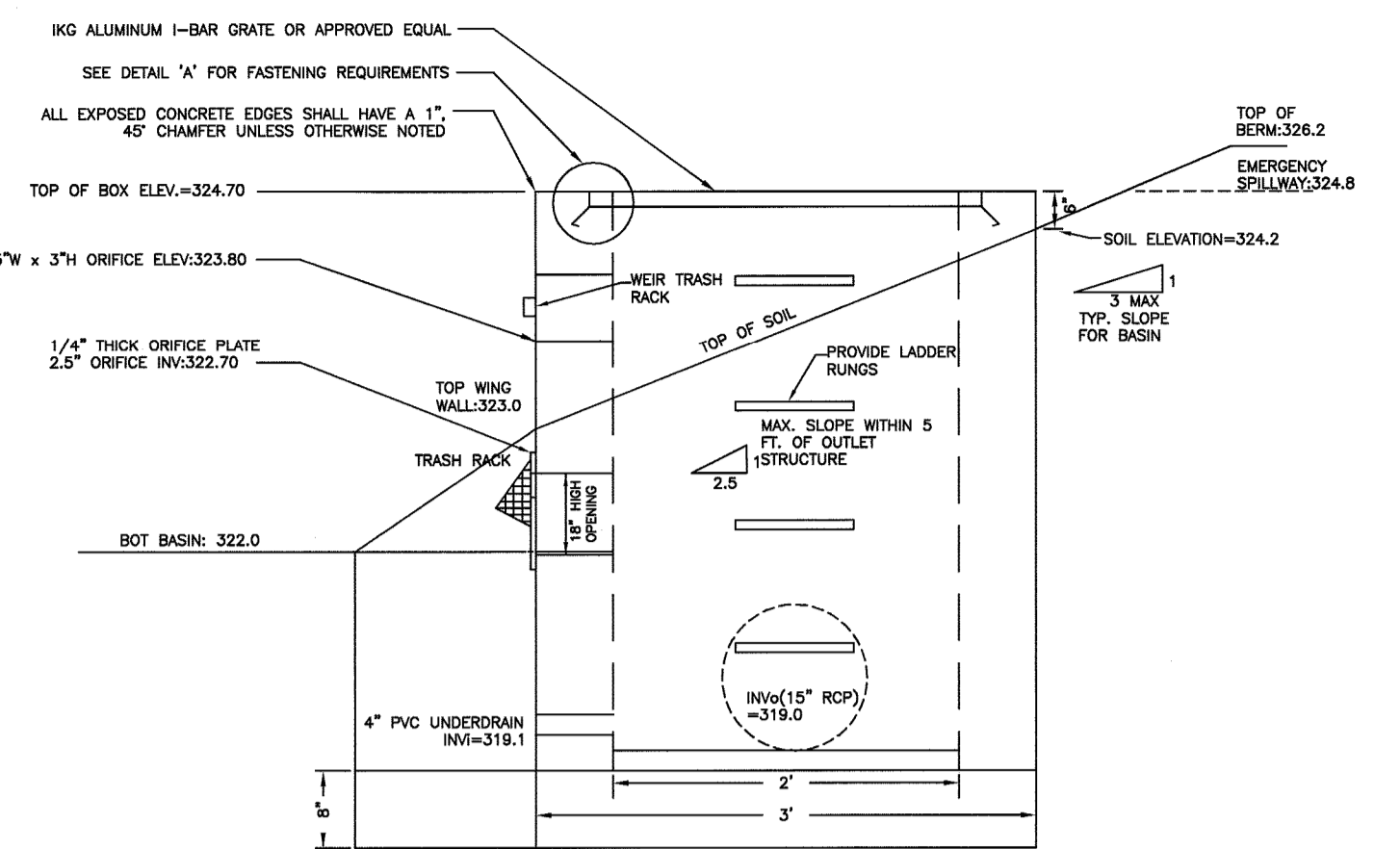


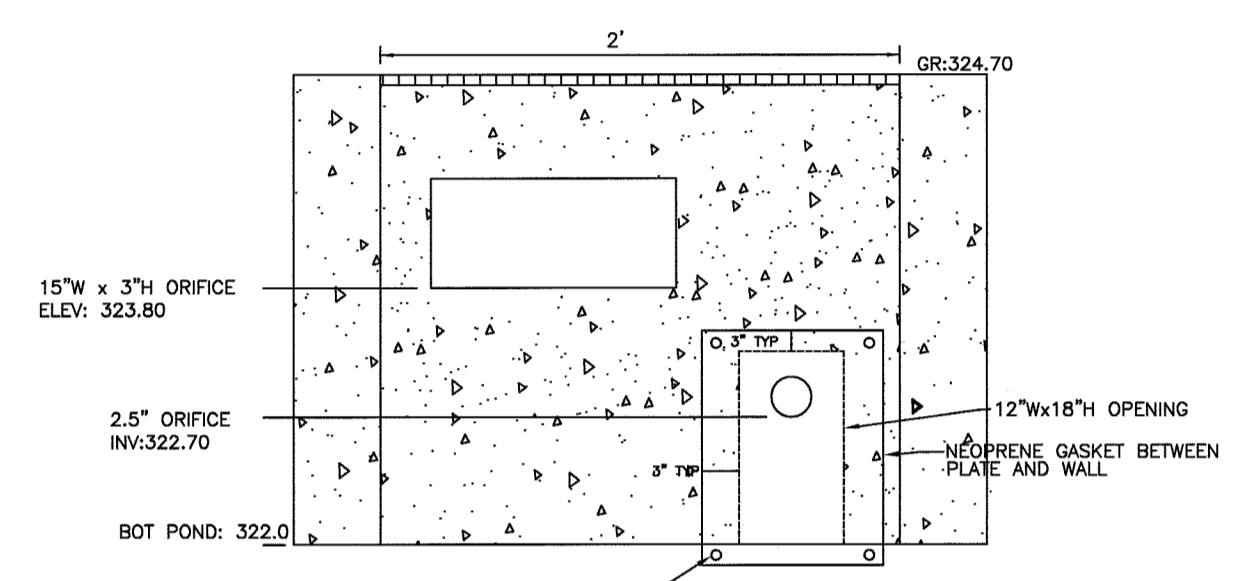
SIDE VIEW OF OUTLET STRUCTURE OCS A
NOT TO SCALE



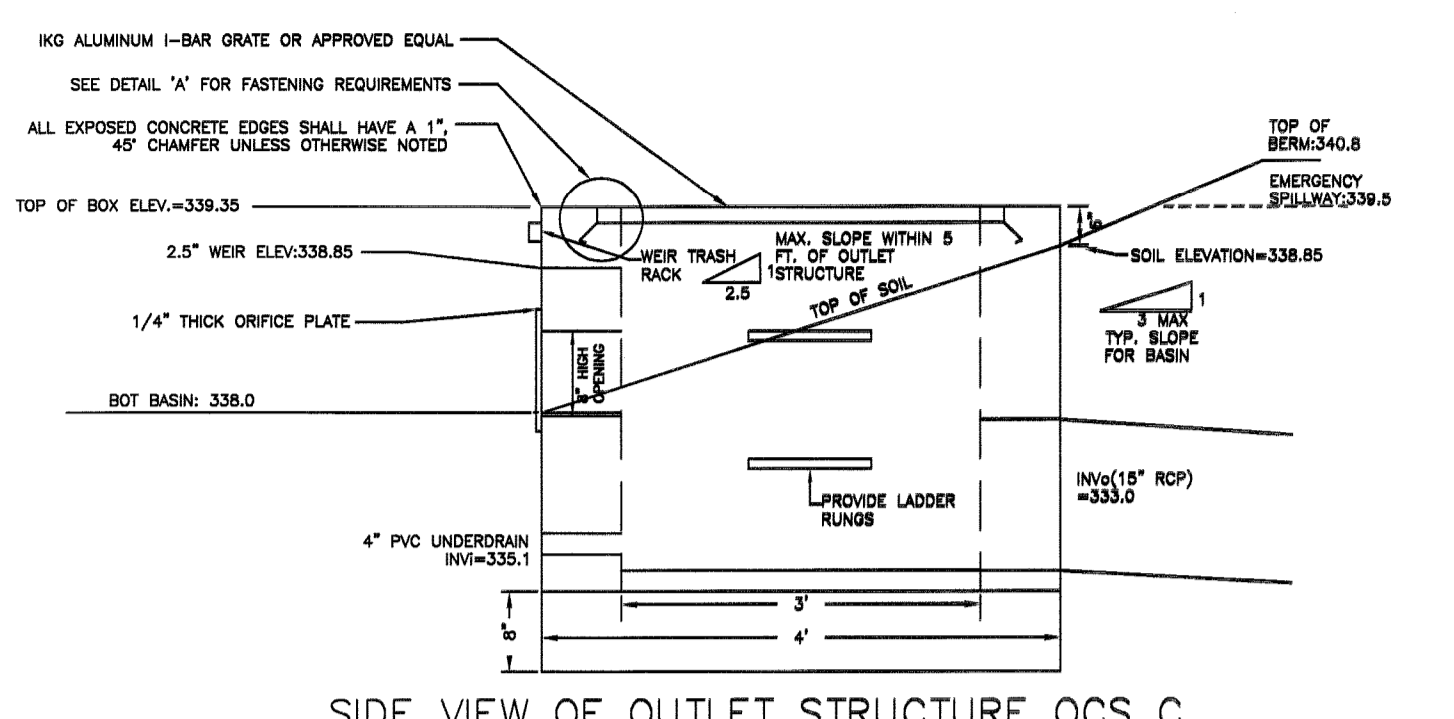
FRONT OF STRUCTURE DETAIL OCS A
NTS



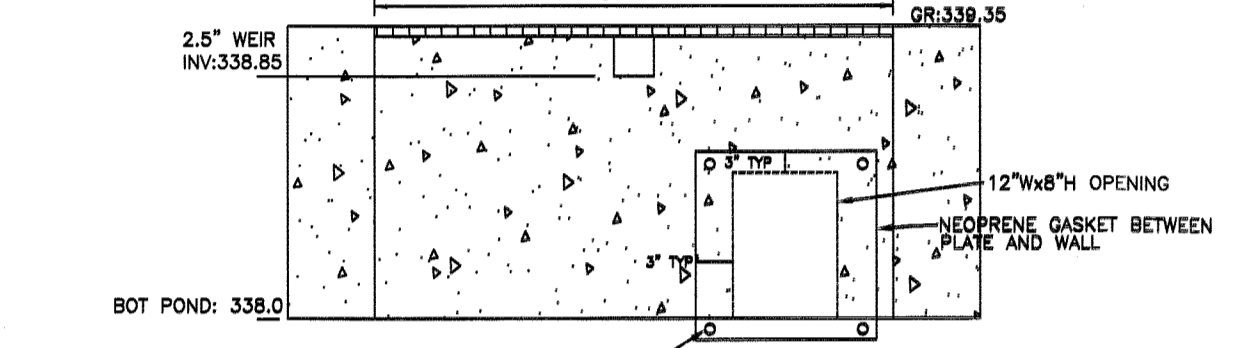
SIDE VIEW OF OUTLET STRUCTURE OCS B
NOT TO SCALE



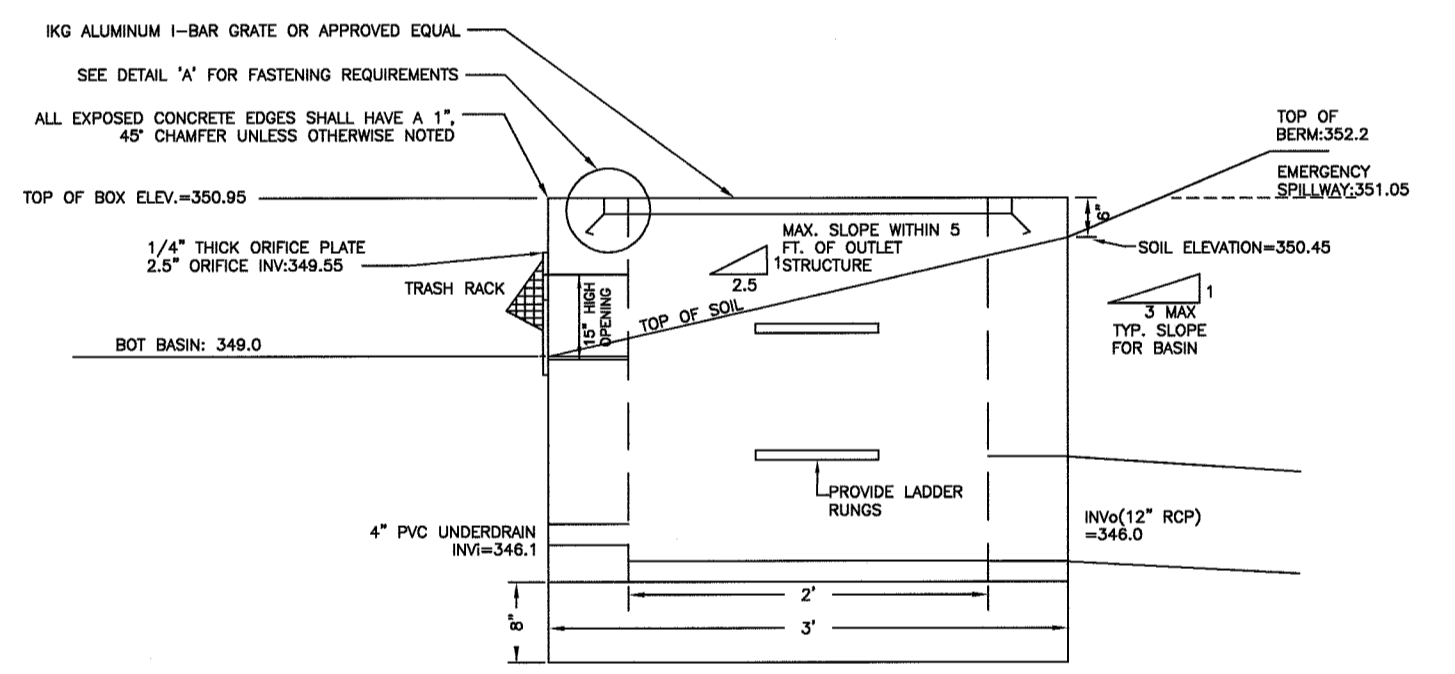
FRONT OF STRUCTURE DETAIL OCS B
NTS



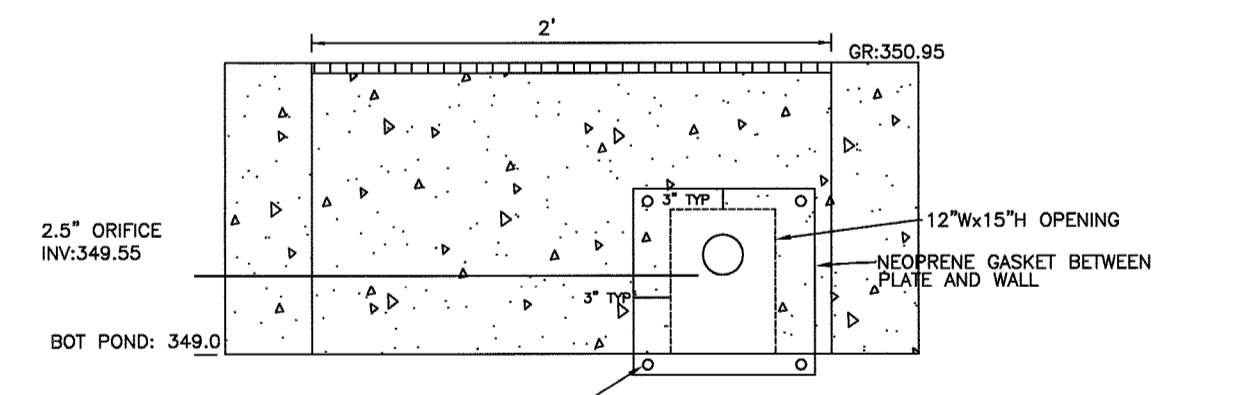
SIDE VIEW OF OUTLET STRUCTURE OCS C
NOT TO SCALE



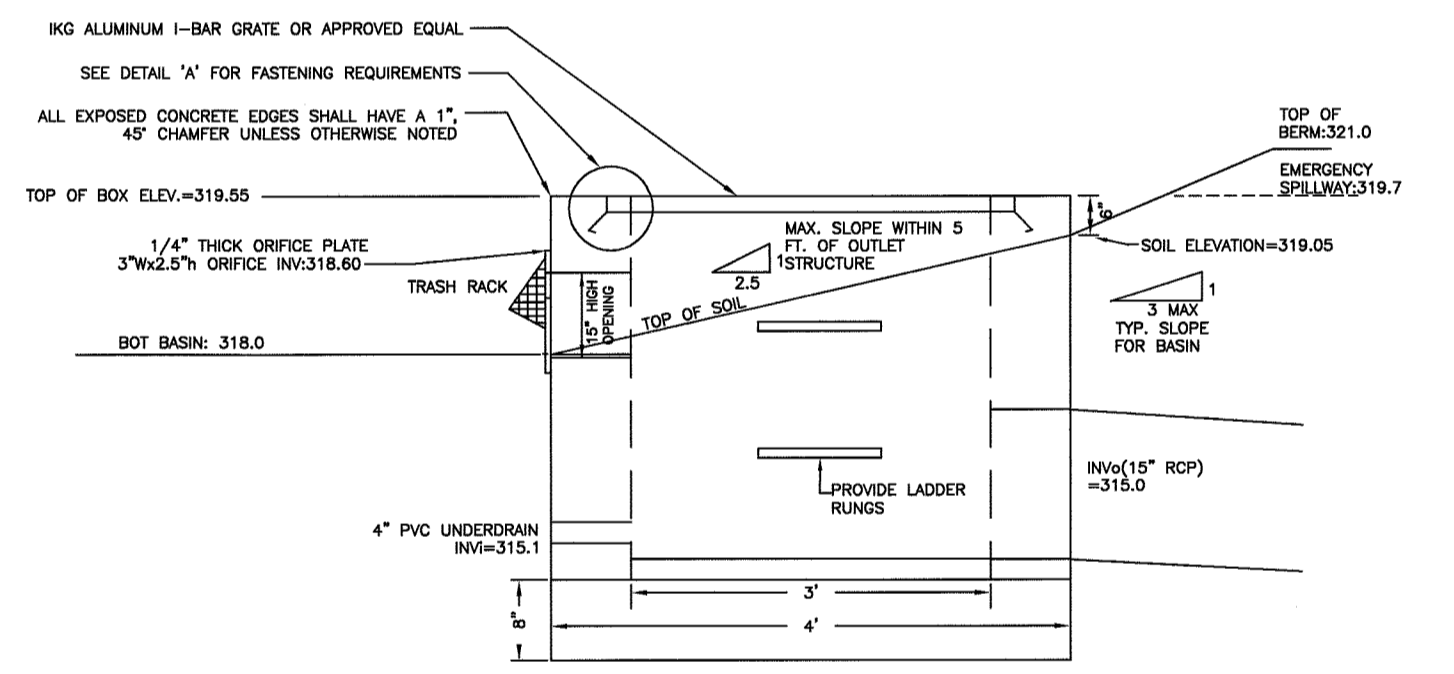
FRONT OF STRUCTURE DETAIL OCS C
NTS



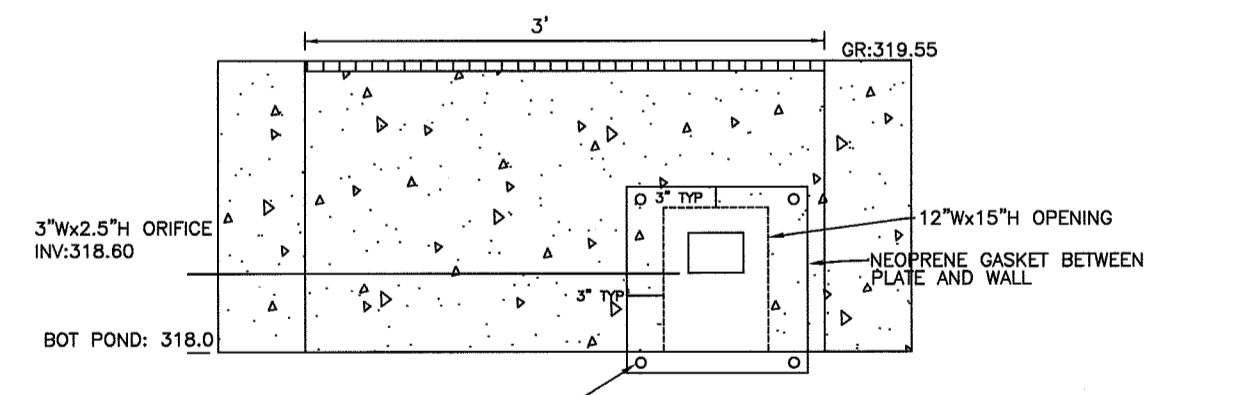
SIDE VIEW OF OUTLET STRUCTURE OCS D
NOT TO SCALE



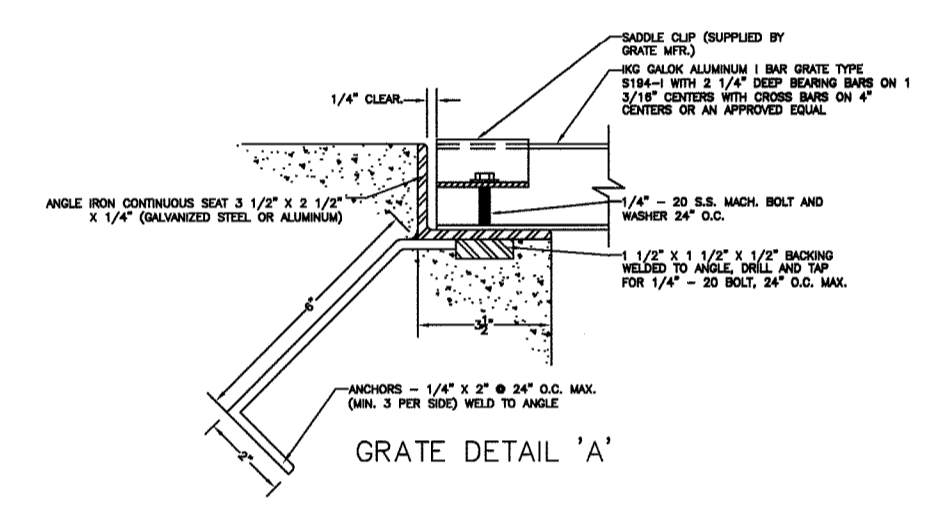
FRONT OF STRUCTURE DETAIL OCS D
NTS



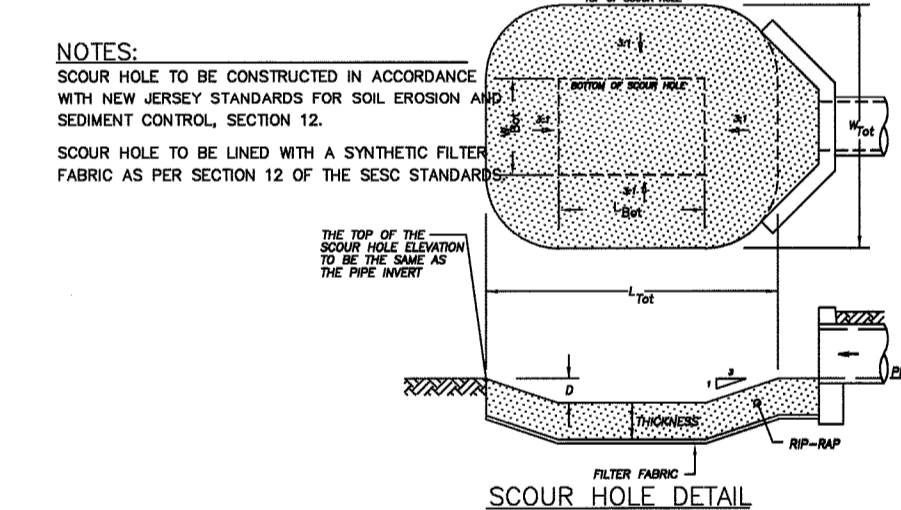
SIDE VIEW OF OUTLET STRUCTURE OCS E
NOT TO SCALE



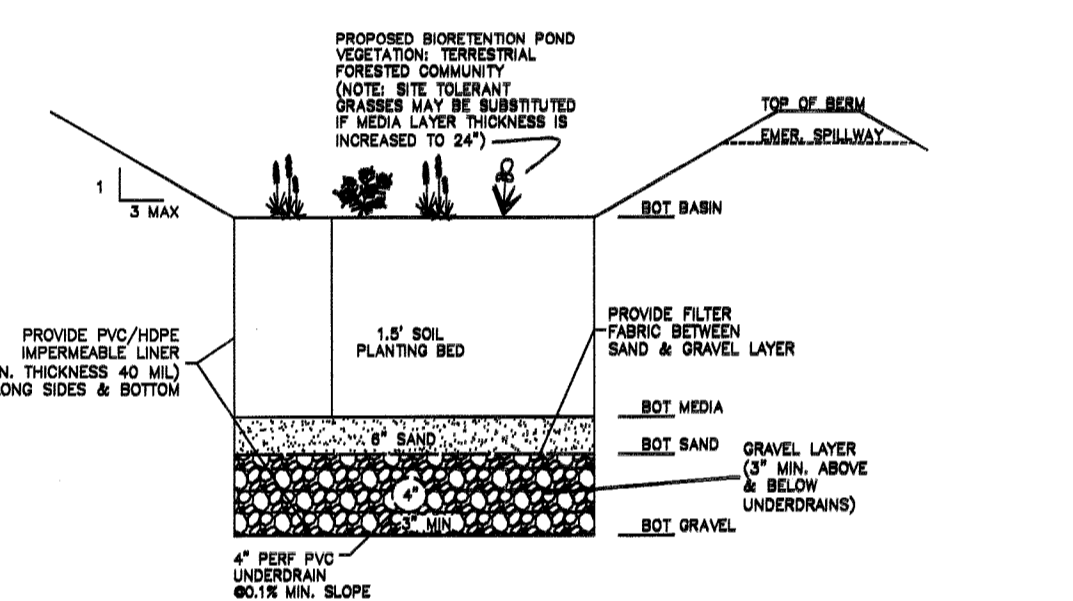
FRONT OF STRUCTURE DETAIL OCS E
NTS



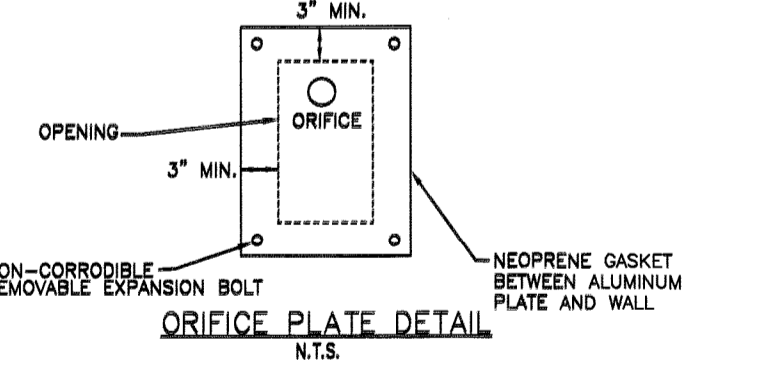
GRATE DETAIL 'A'



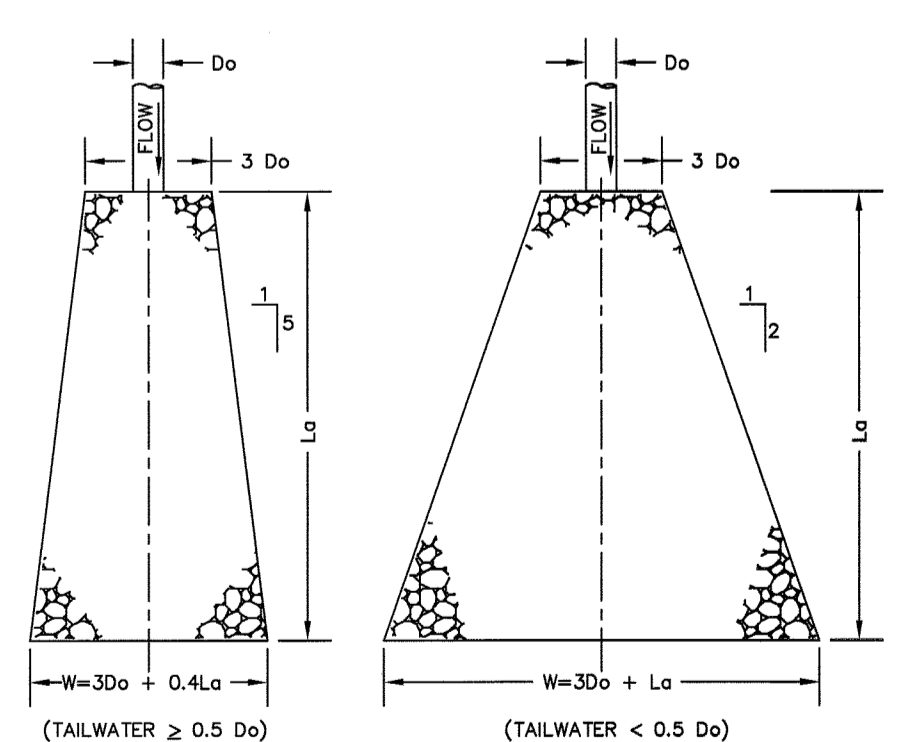
SCOUR HOLE DETAIL



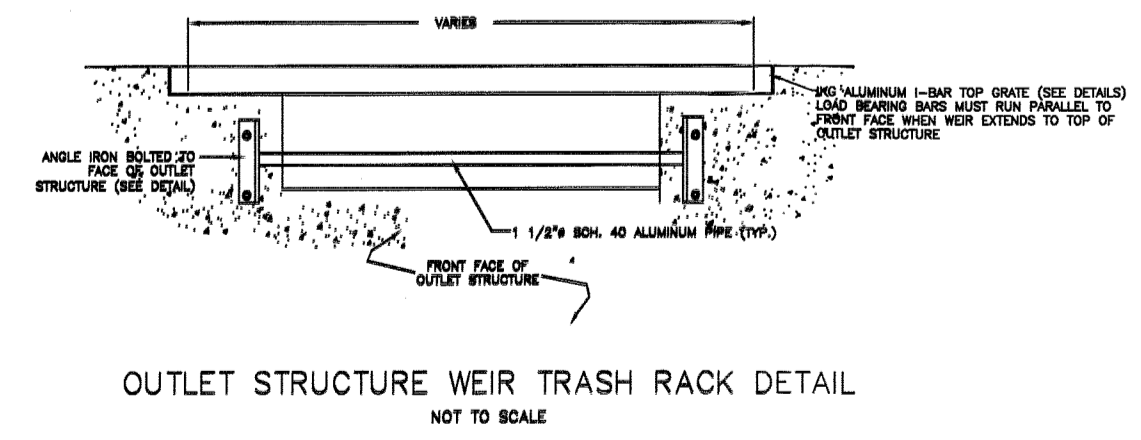
BIORETENTION BASIN BASE
N.T.S.



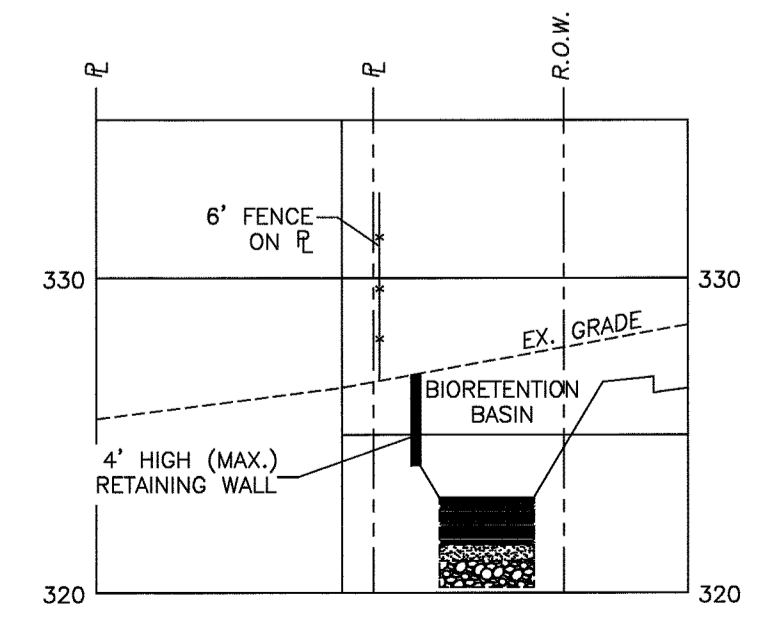
ORIFICE PLATE DETAIL
N.T.S.



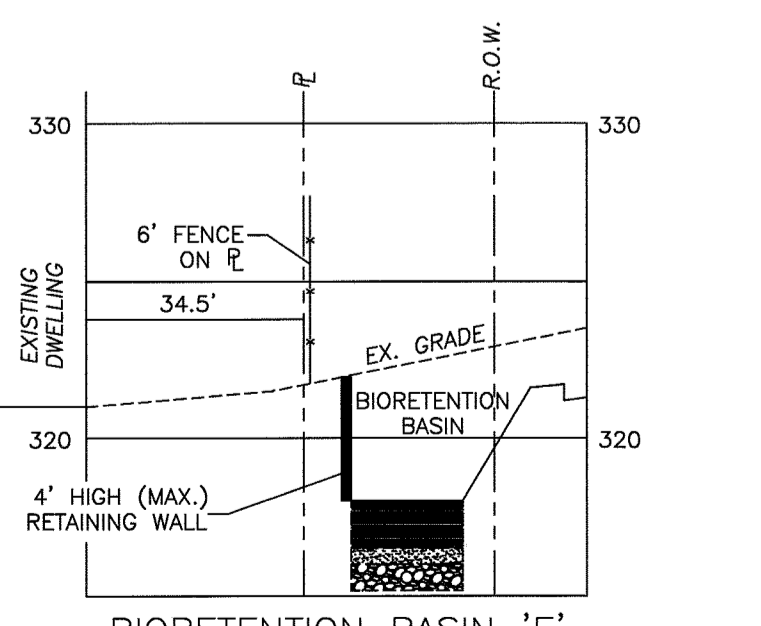
RIP RAP CONDUIT OUTLET PROTECTION
N.T.S.



OUTLET STRUCTURE WEIR TRASH RACK DETAIL
NOT TO SCALE



BIORETENTION BASIN 'A'
SECTION A-A
SCALE: 1\"/>



BIORETENTION BASIN 'E'
SECTION B-B
SCALE: 1\"/>

Murphy & Hollows Associates LLC
 CIVIL ENGINEERING AND SURVEYING
 331 ELM STREET, STIRLING, NJ 07980
 908.580.1255 murphyhollows@gmail.com

FINAL MAJOR SUBDIVISION PLAN
 WESTMINSTER PRESBYTERIAN CHURCH
 LOT 32 BLOCK 2006
 MOUNTAIN AVENUE &
 PLAINFIELD AVENUE
 TOWNSHIP OF
 BERKELEY HEIGHTS
 UNION COUNTY
 NEW JERSEY
 CONSTRUCTION DETAILS

AIDAN T. MURPHY
 N.J. LIC. PROFESSIONAL ENGINEER #21319
 N.J. PROFESSIONAL PLANNER #2531

William G. Hollows
WILLIAM G. HOLLOWES
 N.J. LIC. PROFESSIONAL ENGINEER
 & LAND SURVEYOR #27473
 N.J. PROFESSIONAL PLANNER #2530

N:\CAD Drawings\2014\14-026\SUBDIVISION\FINAL\REV5\14-026D\FINAL5.dwg, 12/16/2022 4:52:37 PM