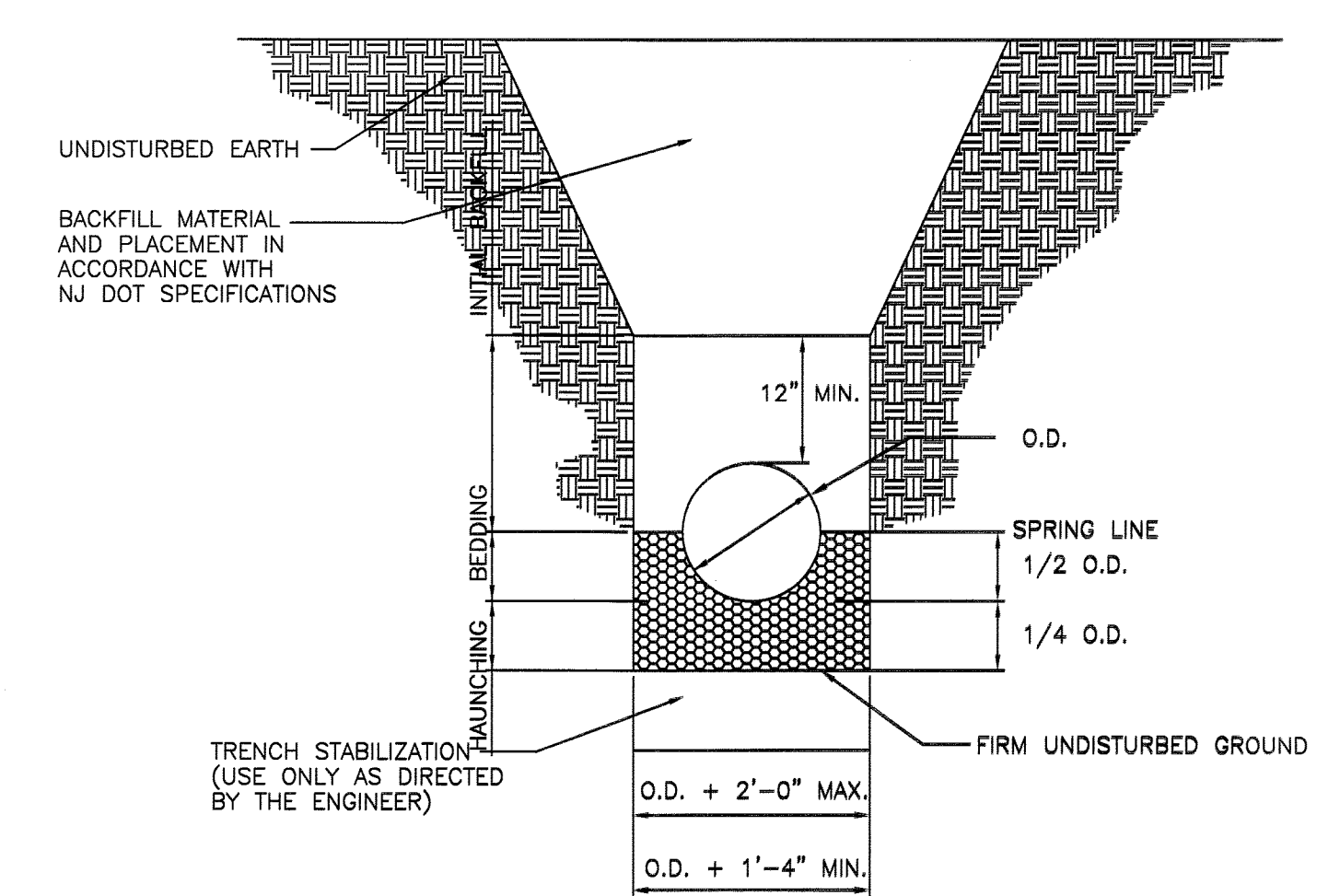
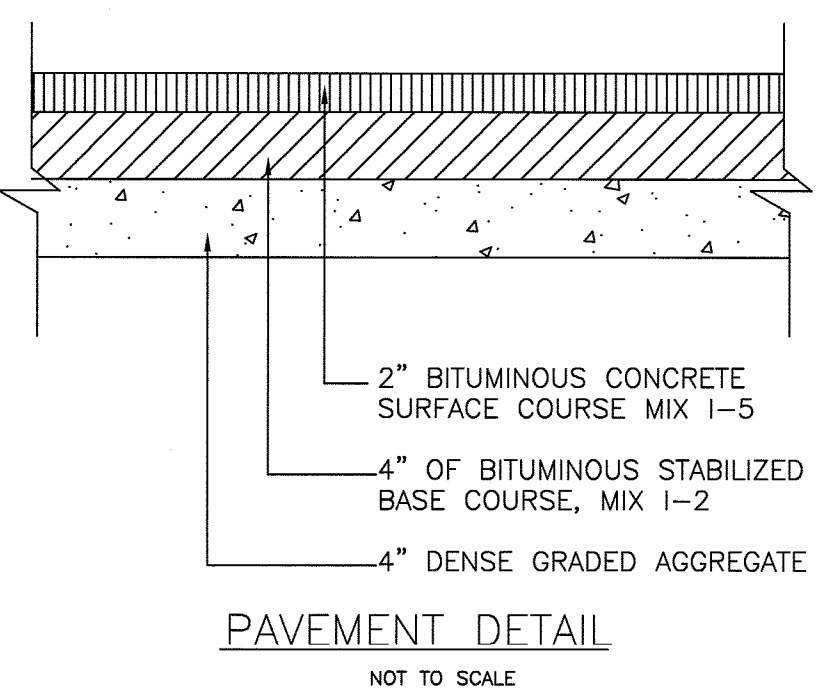
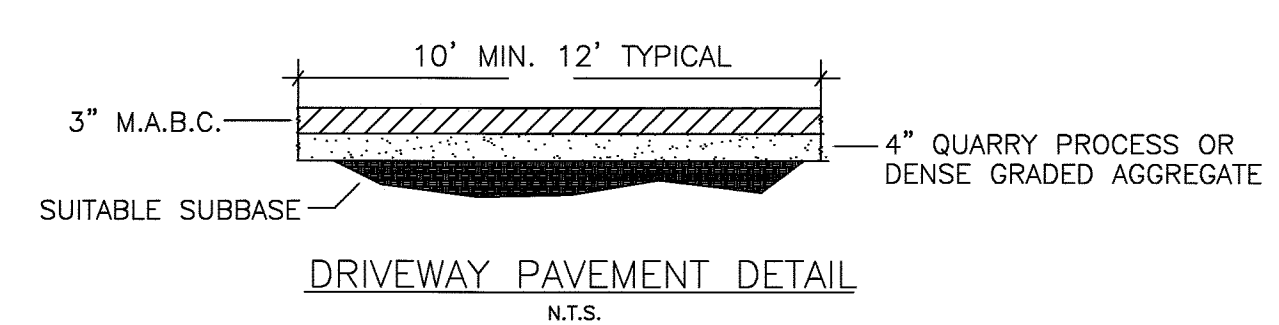
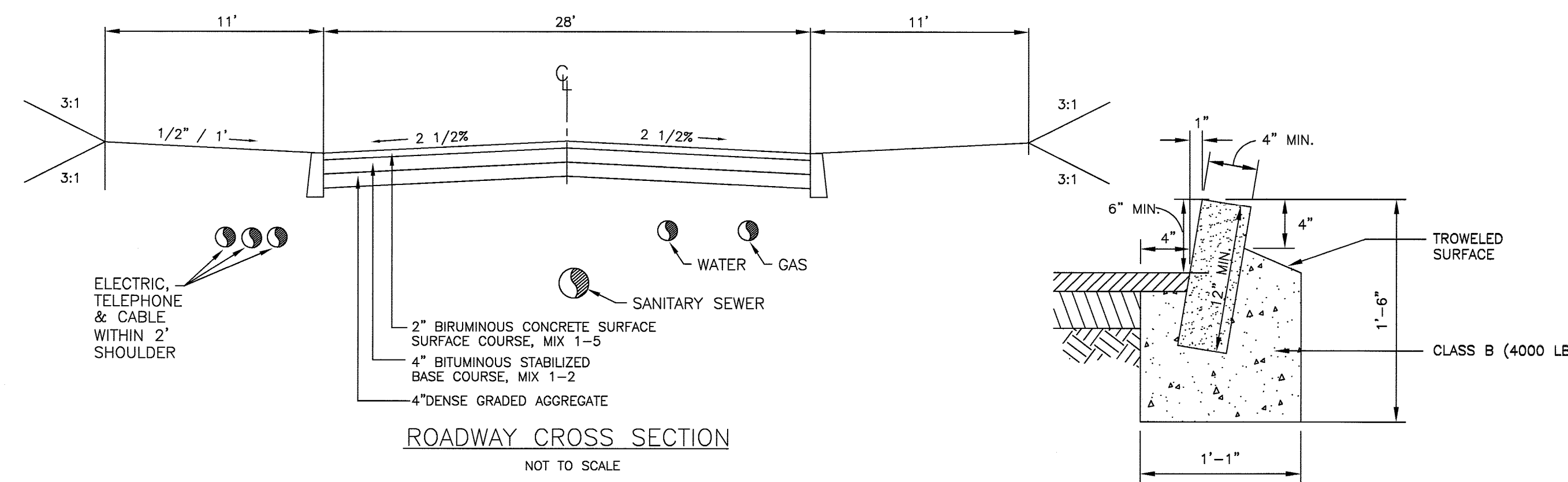


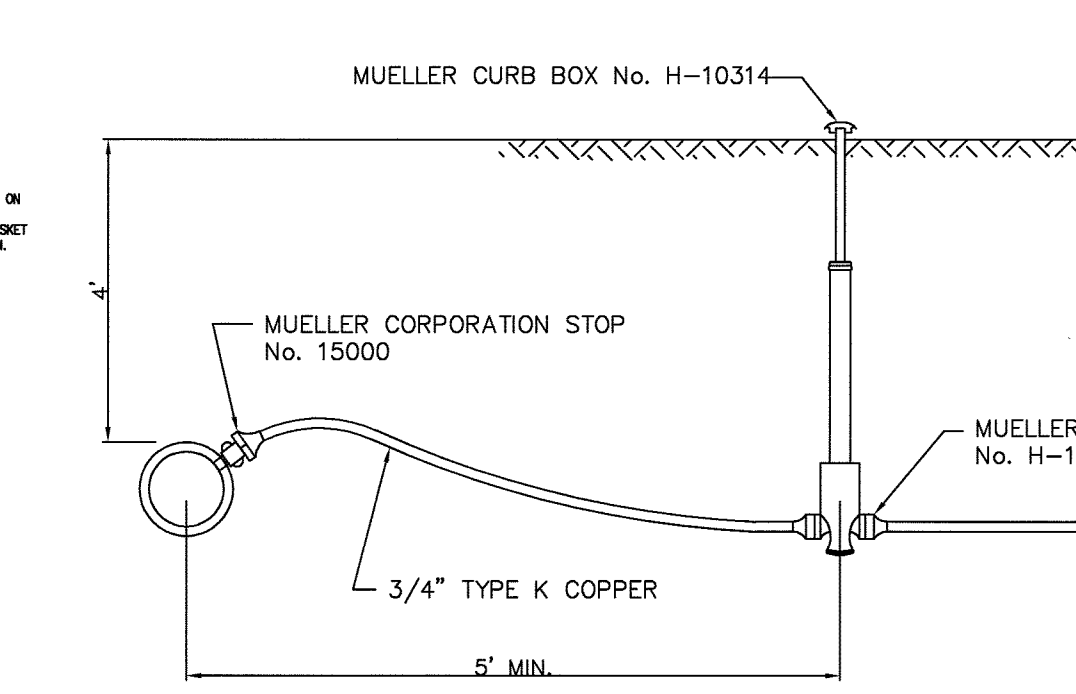
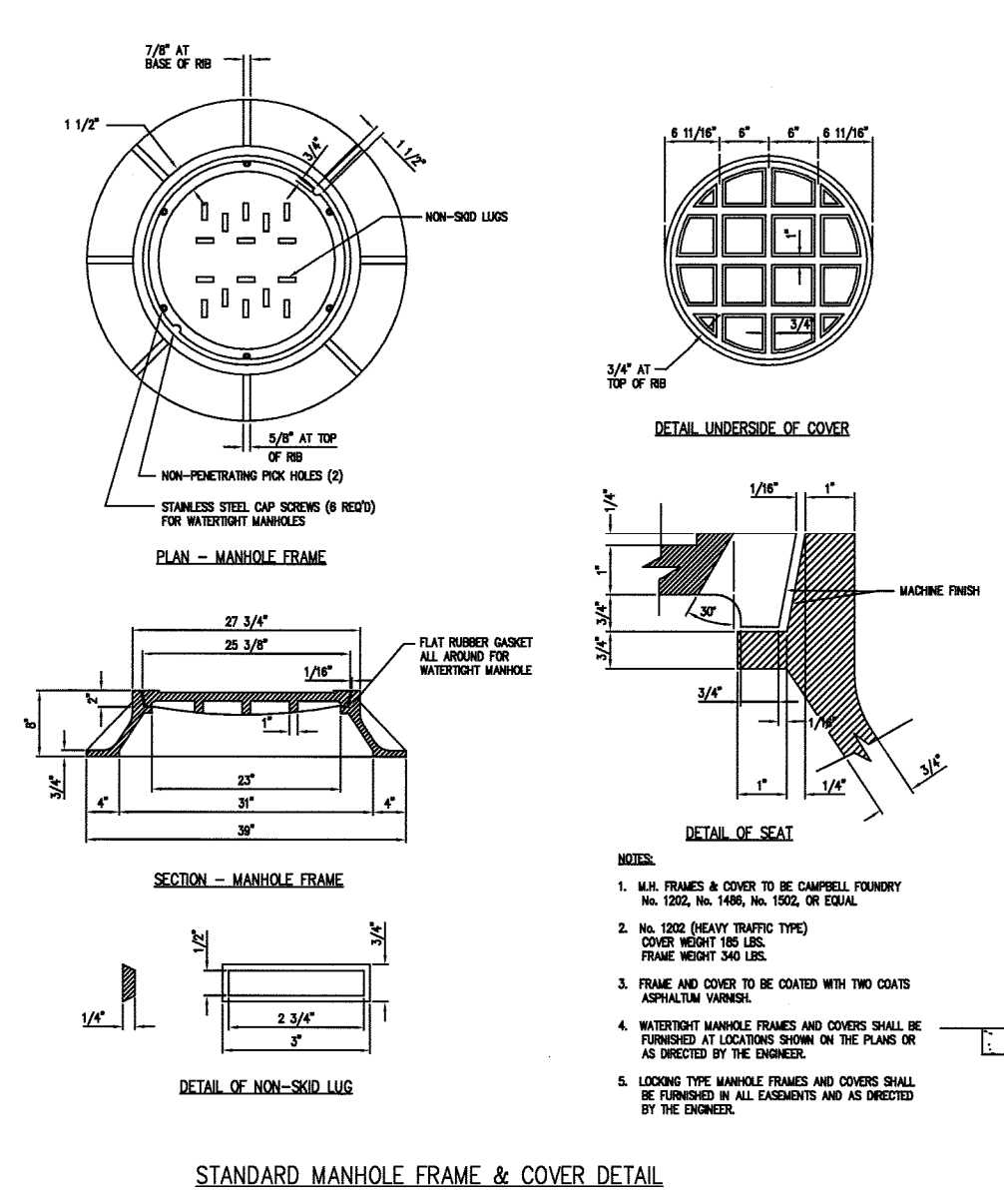
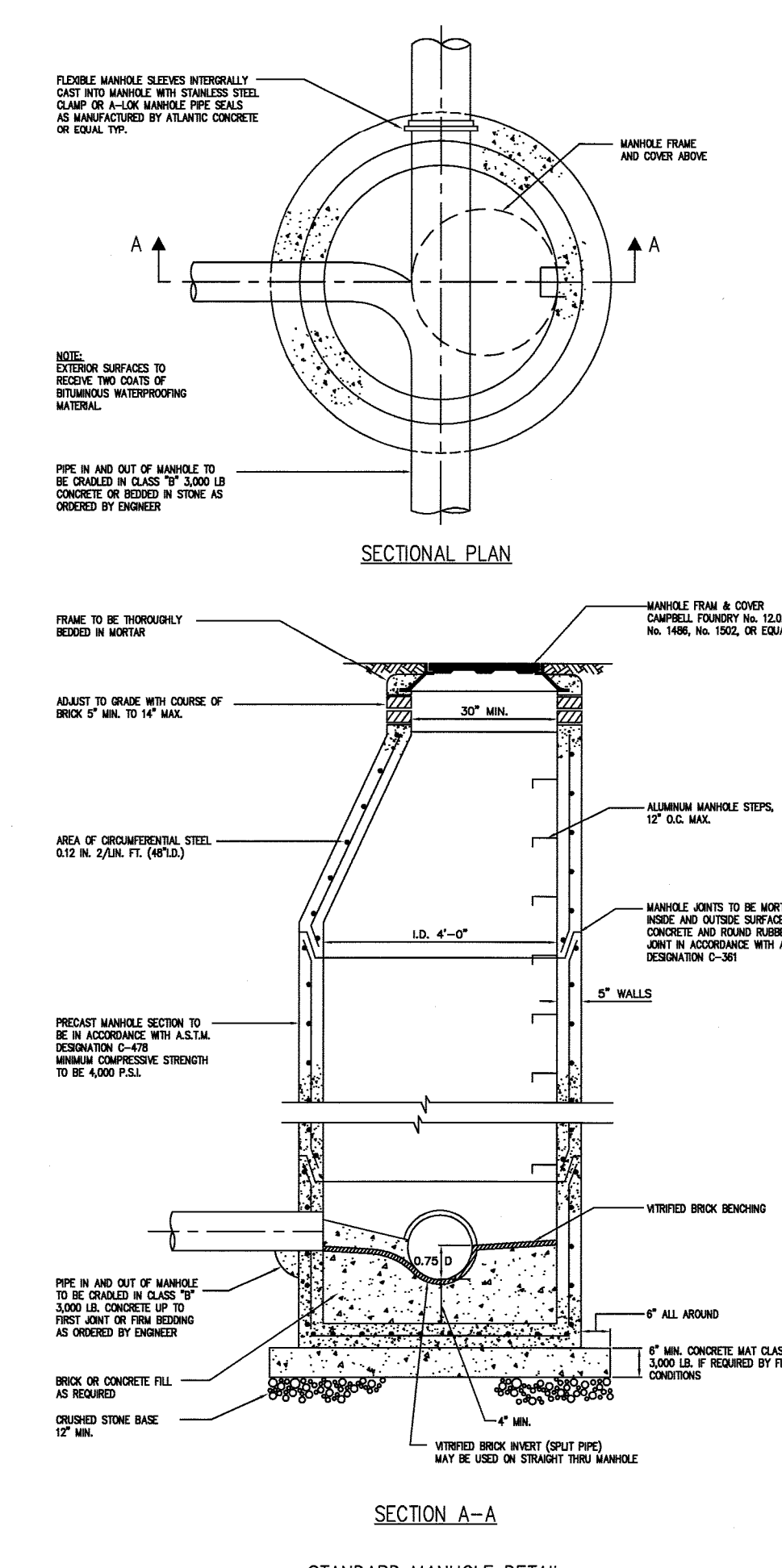
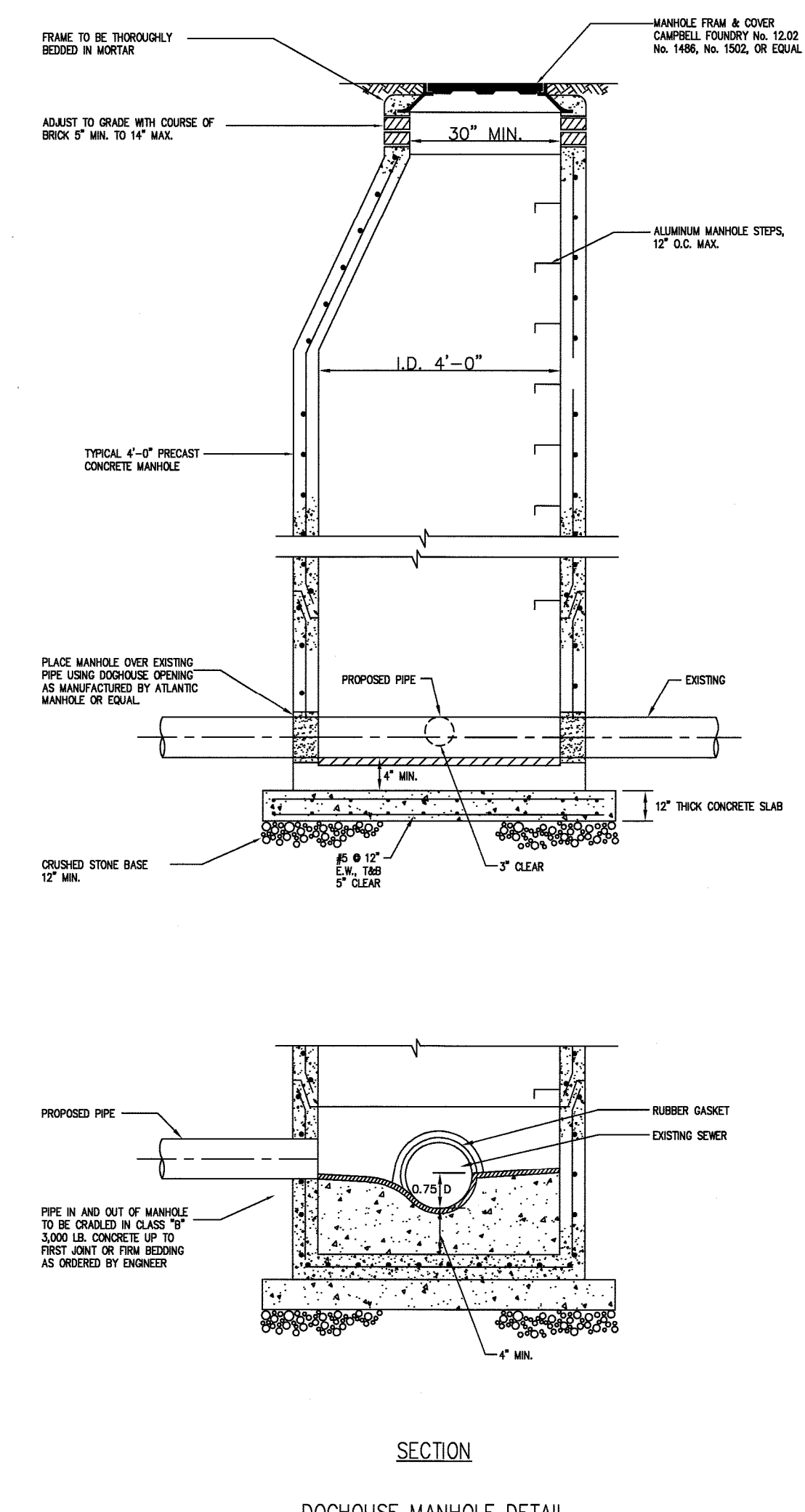
GENERAL NOTES:

- ALL IMPROVEMENTS UNDER THE JURISDICTION OF THE COUNTY OF UNION ARE TO BE CONSTRUCTED IN ACCORDANCE WITH UNION COUNTY SPECIFICATIONS.
 - THE OFFICE OF THE COUNTY ENGINEER IS TO BE NOTIFIED SEVENTY-TWO (72) HOURS IN ADVANCE OF COMMENCEMENT OF CONSTRUCTION OF ANY IMPROVEMENTS UNDER THE JURISDICTION OF THE COUNTY OF UNION.
 - ALL CONSTRUCTION SHALL BE IN ACCORDANCE WITH THE MOST RECENT N.J. DEPARTMENT OF TRANSPORTATION STANDARD SPECIFICATIONS AND SUPPLEMENTS.
 - ALL CONCRETE SHALL HAVE A MINIMUM OF 28 DAY COMPRESSIVE STRENGTH OF 3,000 PSI. ALLOWABLE EXTREME FIBER STRESS IN COMPRESSION SHALL BE 1,200 PSI.
 - ALL CONCRETE SHALL BE CLASS "B" AIR ENTRAINED, EXCEPT CAST-IN-PLACE BOX CULVERTS AND BRIDGE DECKS WHICH SHALL BE CLASS "A".
 - ALL REINFORCING STEEL SHALL BE INTERMEDIATE GRADE, NEW DEFORMED BILLET-STEEL CONFORMING TO ASTM A615 (LATEST EDITION), GRADE 40 MINIMUM. ALLOWABLE STRESS IN TENSION SHALL BE 20,000 PSI.
- OR
- ALL REINFORCING STEEL SHALL BE NEW DEFORMED BILLET-STEEL CONFORMING TO ASTM A615 (LATEST EDITION), GRADE 60 MINIMUM. ALLOWABLE STRESS IN TENSION SHALL BE 24,000 PSI.
 - ALL CONCRETE SHALL BE PLACED ON FIRM UNDISTURBED SOIL OR CLEAN ROCK.
 - ALL EXPOSED CONCRETE EDGES SHALL HAVE A 1 INCH, 45 DEGREE CHAMFER UNLESS OTHERWISE NOTED.
 - ALL REINFORCEMENT STEEL SPLICES SHALL BE A MINIMUM 30 BAR DIAMETERS UNLESS OTHERWISE NOTED.
 - ALL REINFORCEMENT SHALL BE SUITABLY SUPPORTED AND SECURELY HELD IN PLACE WHILE PLACING CONCRETE.
 - CONCRETE PLACING OPERATIONS SHALL NOT COMMENCE UNTIL FINAL INSPECTION AND APPROVAL OF ALL REINFORCEMENT HAS BEEN PERFORMED.
 - ALL PIPES, STUBS AND/OR FITTINGS ARE TO BE MONOLITHICALLY CAST IN THE CONCRETE.
 - THE SURFACE OF ALUMINUM PLATES AND FIXTURES IN CONTACT WITH CONCRETE SHALL BE PAINTED WITH A HEAVY COAT OF ALUMINUM PIGMENTED ALKALINE RESISTANT BITUMINOUS PAINT EQUAL TO MILITARY SPECIFICATION MIL-P-6883.
 - THE OUTLET PIPE FOR DETENTION BASINS SHALL BE REINFORCED CONCRETE PIPE CONFORMING TO ASTM C 76 WITH RUBBER GASKETS PURSUANT TO ASTM C 443.
 - THE BASIN IS TO BE SODDED OR TOPSOILED AND SEEDED, INCLUDING THE BOTTOM, SIDE SLOPES, AND ALL EMBANKMENTS.
 - THE DESIGN DIMENSIONS OF THE DETENTION BASIN SHALL BE MAINTAINED THROUGHOUT CONSTRUCTION UNLESS IT IS TO BE USED AS A SILTATION BASIN DURING CONSTRUCTION IN THE WATERSHED. IF SO, IT SHALL BE IMMEDIATELY RETURNED TO DESIGN DIMENSIONS FOLLOWING THE COMPLETION OF SUCH CONSTRUCTION.



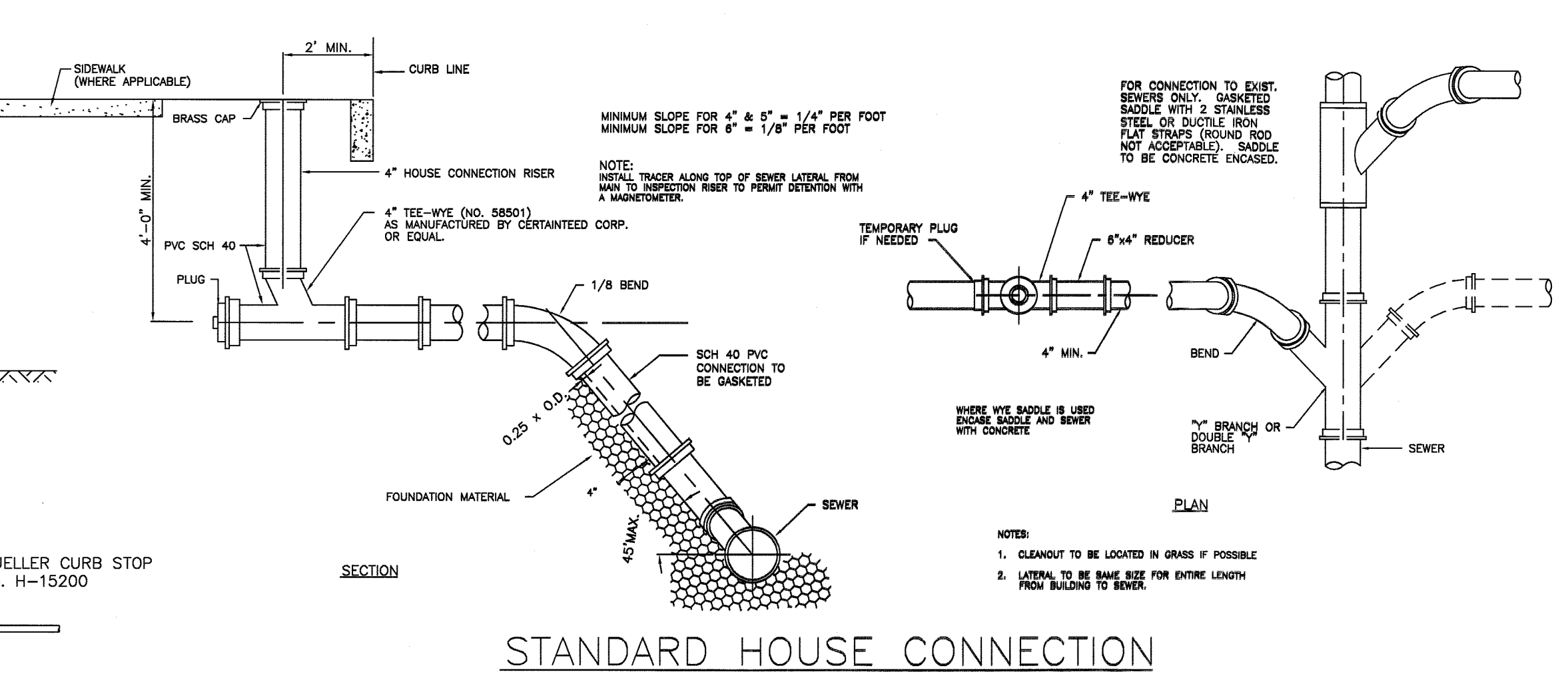
- NOTES:
- O.D. = OUTSIDE DIAMETER
 - INSTALL D.I.P. WHEN THE DEPTH OF THE INSTALLATION IS LESS THAN 3'-0" OR EXCEEDS 20'-0"

SDR - 35 PVC SANITARY SEWER TRENCH DETAIL



WATER SERVICE INSTALLATION

NOTE: NEW TAPS LARGER THAN 1" INTO DUCTILE IRON CEMENT LINED OR CAST IRON CEMENT LINED WATER MAIN REQUIRE A SERVICE SADDLE WITH STAINLESS STEEL STRAPS



STANDARD HOUSE CONNECTION

DRAWN BY:	SP	CHECKED BY:	WGH
JOB No.	14-026		
BOOK			
SCALE	N.T.S.		
GRAPHIC SCALE			
DATE	APRIL 30, 2021		
REVISIONS	OCTOBER 20, 2021 JANUARY 12, 2022 SEPTEMBER 9, 2022 SEPTEMBER 30, 2022 DECEMBER 6, 2022 SIGHT LINE		

CERTIFICATE OF AUTHORIZATION
No. 24GA27959700

NOTES

Murphy & Hollows Associates LLC
 CIVIL ENGINEERING AND SURVEYING
 331 ELM STREET, STIRLING, NJ 07980
 908.580.1295 murphyhollows@gmail.com

FINAL MAJOR SUBDIVISION PLAN
 WESTMINSTER PRESBYTERIAN CHURCH
 LOT 32 BLOCK 2006
 MOUNTAIN AVENUE &
 PLAINFIELD AVENUE
 TOWNSHIP OF
 BERKELEY HEIGHTS
 UNION COUNTY
 NEW JERSEY
 CONSTRUCTION DETAILS

AIDAN T. MURPHY
 N.J. LIC. PROFESSIONAL ENGINEER #21319
 N.J. PROFESSIONAL PLANNER #2531

WILLIAM G. HOLLOWES
 N.J. LIC. PROFESSIONAL ENGINEER
 & LAND SURVEYOR #27473
 N.J. PROFESSIONAL PLANNER #2530

FILE	SHEET
LF14-026	11
	OF
	15

N:_CAD Drawings (2014)\14-026\SUBDIVISION\FINAL\REV\14-026.DWG, 12/16/2022 4:52:16 PM