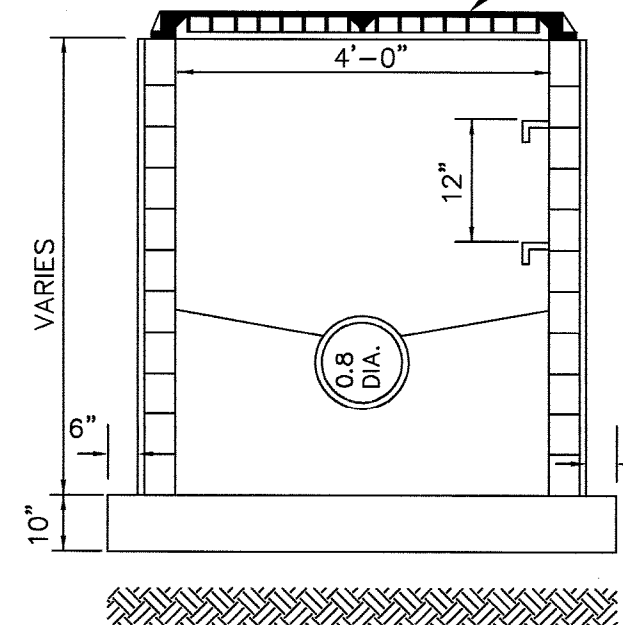
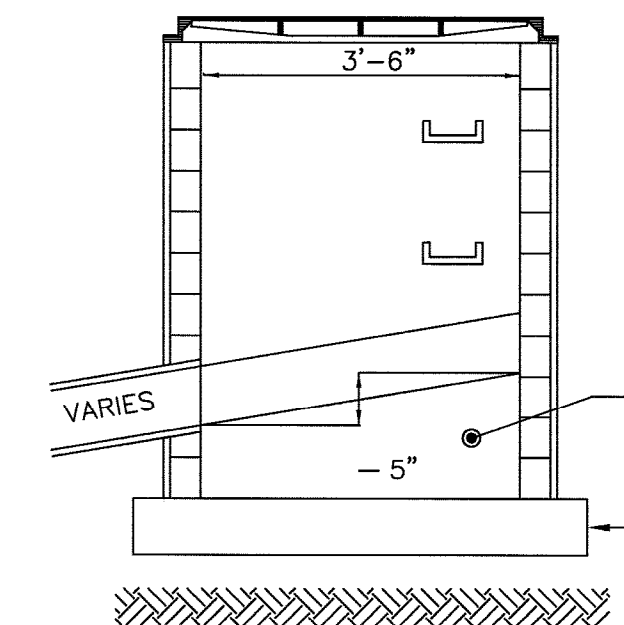


INLET FRAME TO BE CAMPBELL PATTERN NO. 3440, WITH NO. 2617 SAFETY GRATE OR APPROVED EQUAL

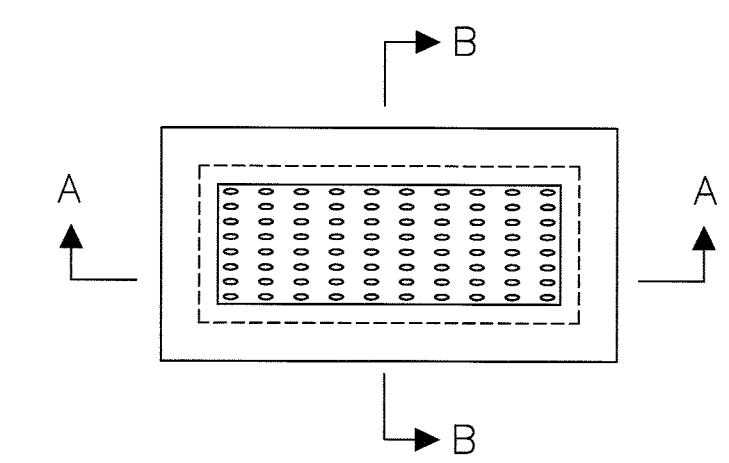


SECTION A - A

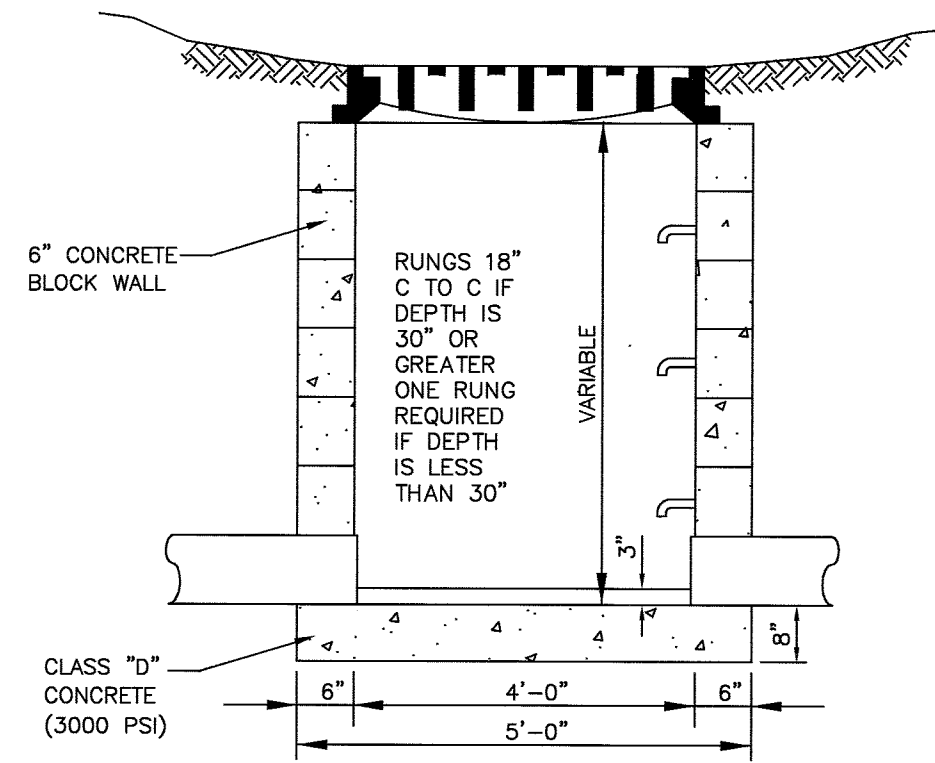


SECTION B - B

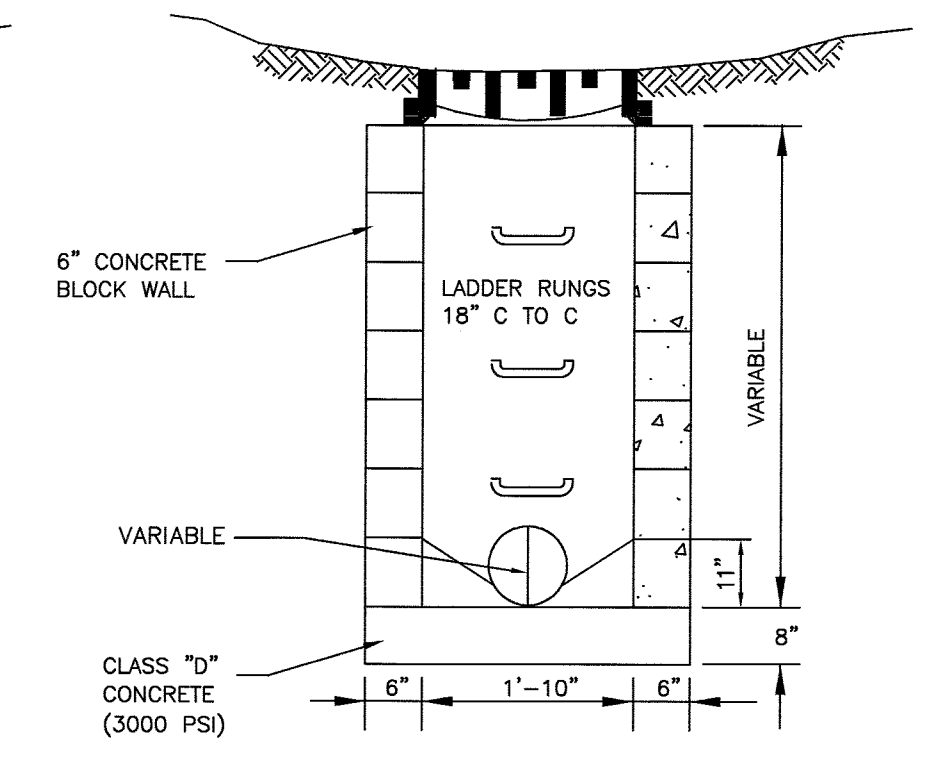
TYPE 'E' INLET
NOT TO SCALE



CAMPBELL #3402 STANDARD GRATE AND FRAME OR APPROVED EQUAL



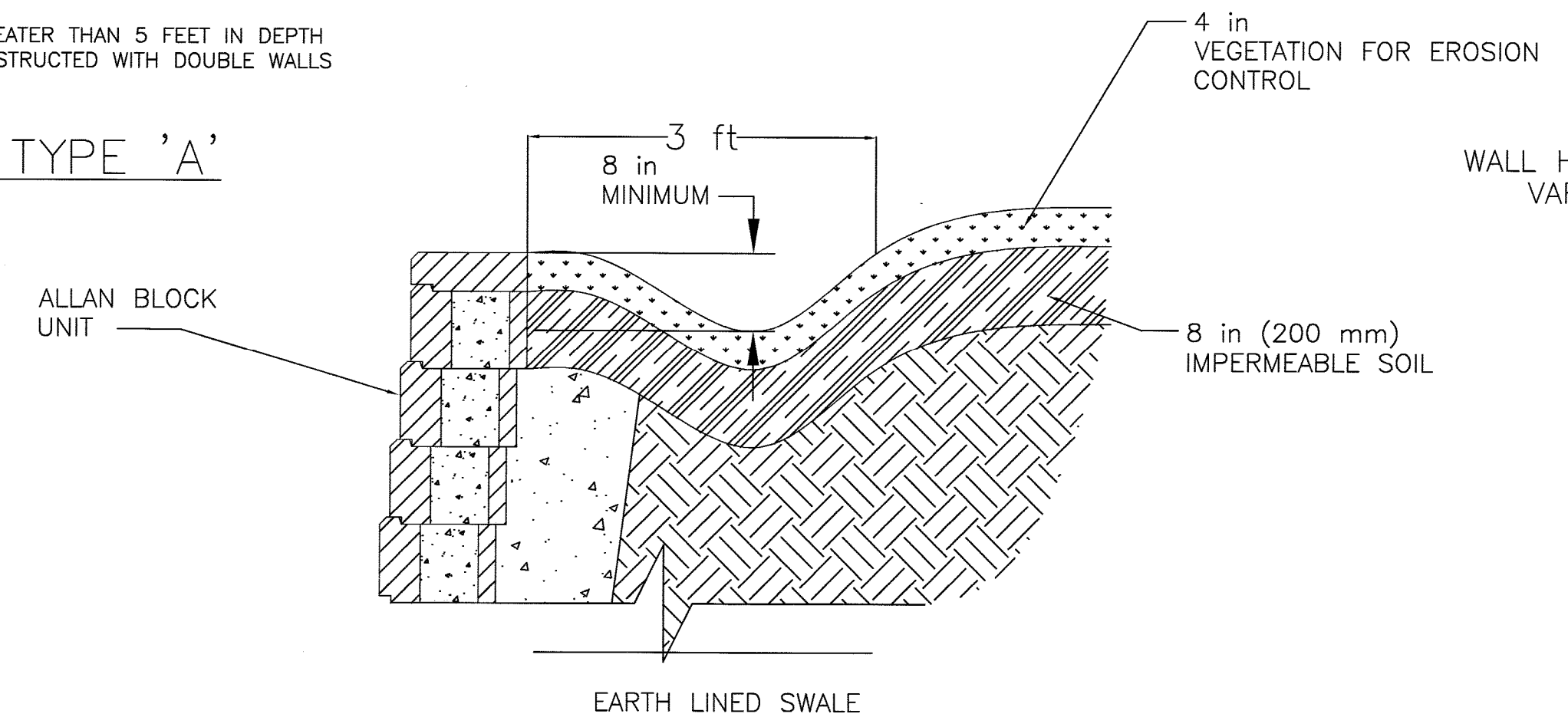
SECTION A-A



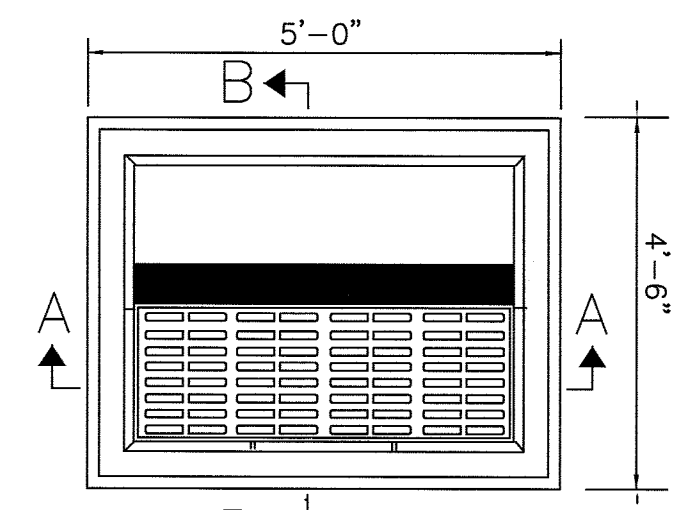
SECTION B-B

NOTE:
ALL INLETS GREATER THAN 5 FEET IN DEPTH SHALL BE CONSTRUCTED WITH DOUBLE WALLS ON ALL SIDES

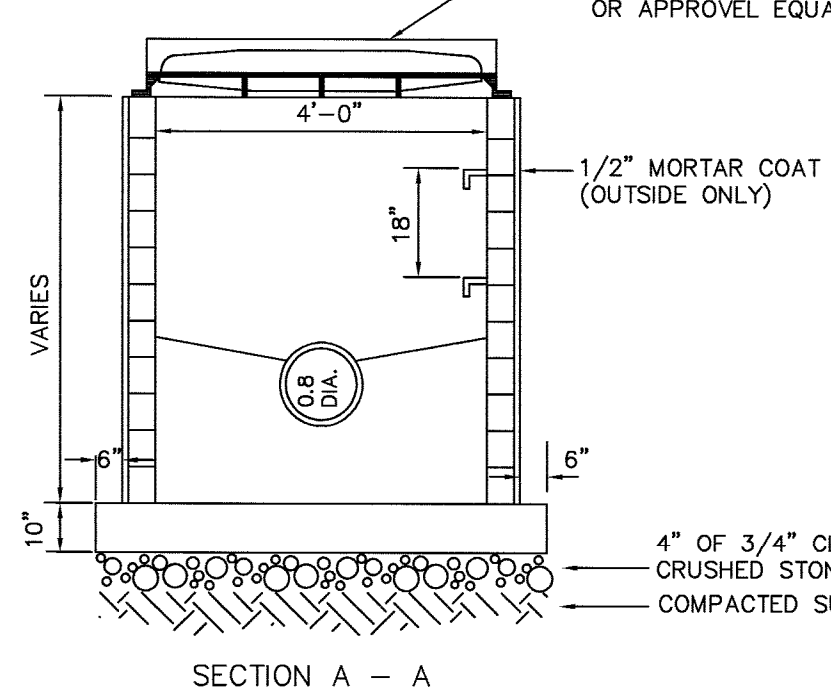
INLET TYPE 'A'



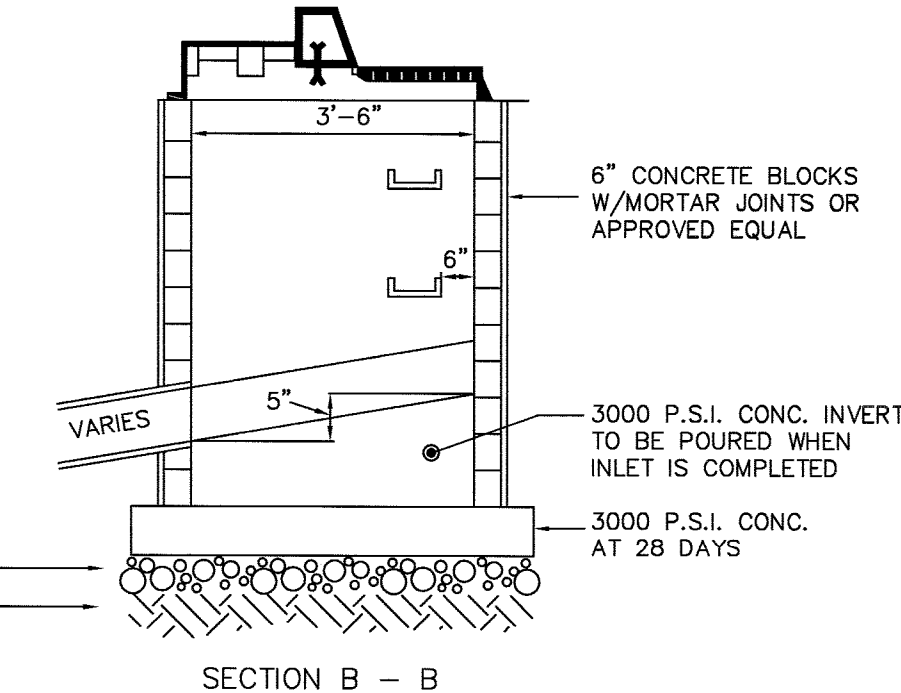
EARTH LINED SWALE



INLET FRAME TO BE CAMPBELL PATTERN NO. 2618 BICYCLE GRATE OR APPROVAL EQUAL

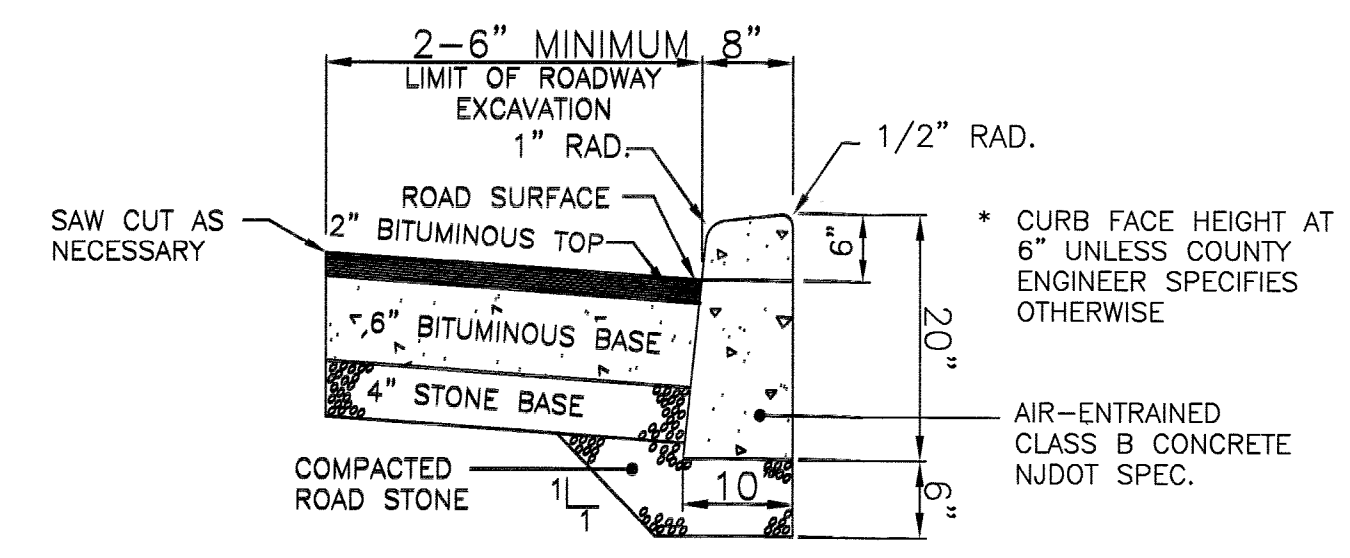


SECTION A - A



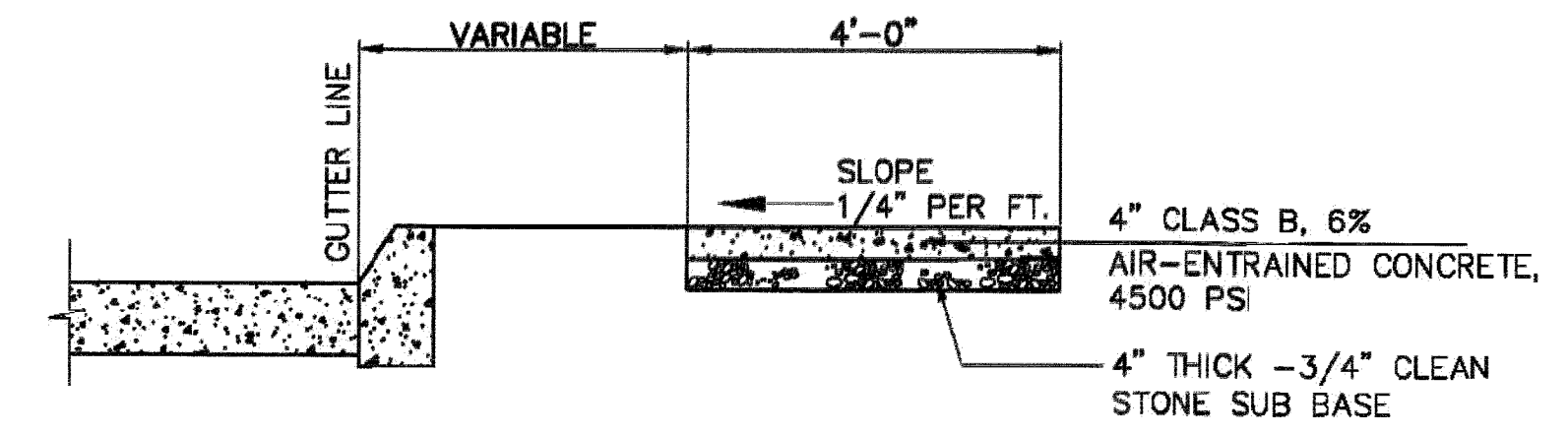
SECTION B - B

'B' INLET DETAIL
NOT TO SCALE



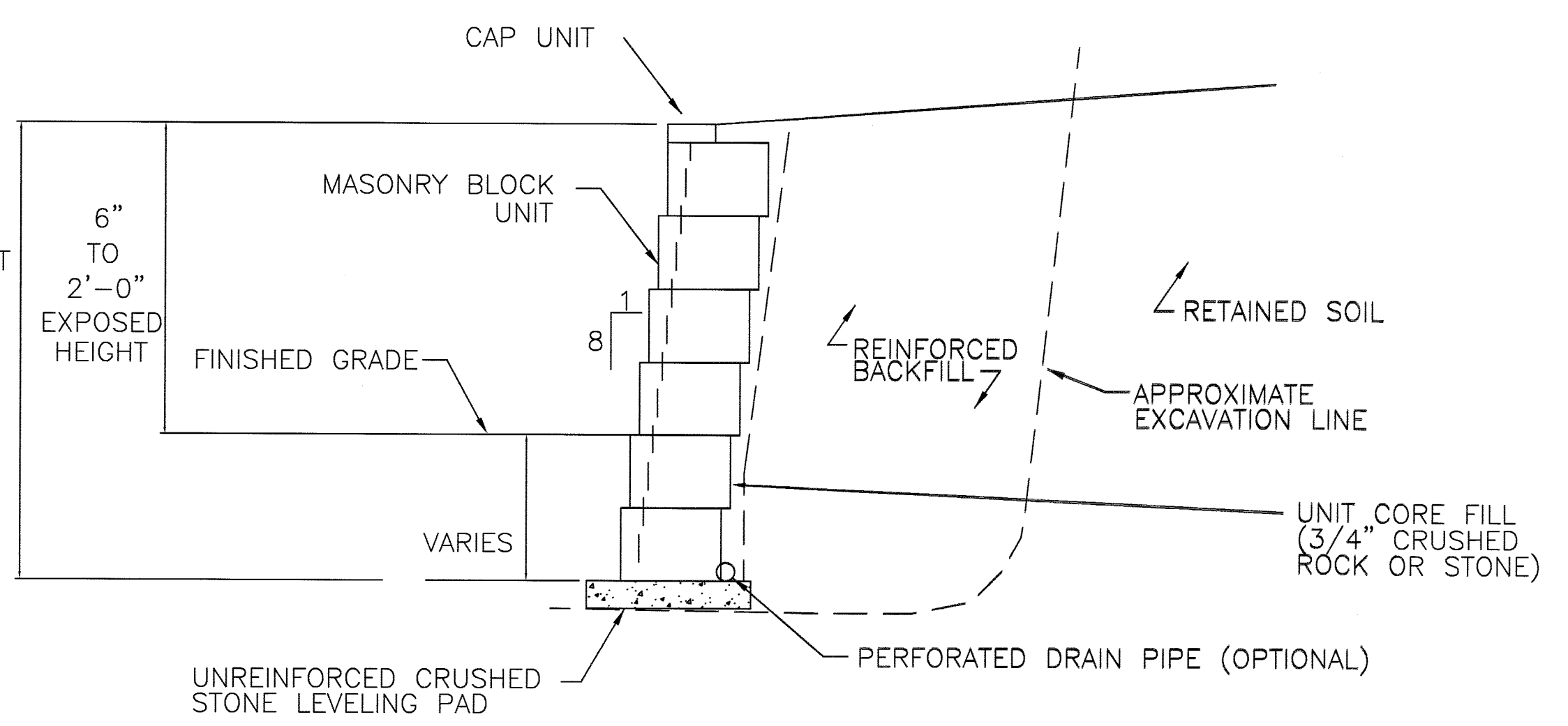
TYPICAL ROADWAY EXCAVATION AT CURBS
NOT TO SCALE

2" BITUMINOUS TOP - NJDOT BITUMINOUS CONCRETE SURFACE COURSE, MIX 1-5; FORMERLY NJDOT FA-BC-1
6" BITUMINOUS BASE - NJDOT BITUMINOUS-STABILIZED BASE COURSE, MIX 1-2
NOTE: CONSTRUCT IN LAYERS NOT MORE THAN 3" COMPACTED THICKNESS
4" STONE BASE - NJDOT DENSE GRADED AGGREGATE BASE COURSE 4" THICK FORMERLY NJDOT QUARRY PROCESSED STONE
ROAD STONE - NJDOT DENSE GRADED AGGREGATE, VARIABLE THICKNESS



CONCRETE SIDEWALK
N.T.S.

UNION COUNTY R.O.W. DETAILS



TYPICAL SEGMENTAL RETAINING WALL DETAIL

DRAWN BY: SP	CHECKED BY: WGH
JOB No. 14-026	
BOOK	
SCALE N.T.S.	
GRAPHIC SCALE	
DATE APRIL 30, 2021	
REVISIONS OCTOBER 20, 2021	
CERTIFICATE OF AUTHORIZATION No. 24GA27959700	
NOTES	
<p>Murphy & Hollows Associates LLC CIVIL ENGINEERING AND SURVEYING 331 ELM STREET, STIRLING, NJ 07980 908.580.1255, murphyhollows@gmail.com</p>	
<p>FINAL MAJOR SUBDIVISION PLAN WESTMINSTER PRESBYTERIAN CHURCH LOT 32 BLOCK 2006 MOUNTAIN AVENUE & PLAINFIELD AVENUE TOWNSHIP OF BERKELEY HEIGHTS UNION COUNTY NEW JERSEY CONSTRUCTION DETAILS</p>	
<p>AIDAN T. MURPHY N.J. LIC. PROFESSIONAL ENGINEER #21319 N.J. PROFESSIONAL PLANNER #2531</p>	
<p>William G. Hollows WILLIAM G. HOLLOWES N.J. LIC. PROFESSIONAL ENGINEER & LAND SURVEYOR #27473 N.J. PROFESSIONAL PLANNER #2530</p>	
FILE LF14-026	SHEET 12 OF 13

N:\CAD Drawings\2014\14-026\SUBDIVISION\FINAL\REV1\14-026DEFINAL.dwg, 10/20/2021 2:33:31 PM