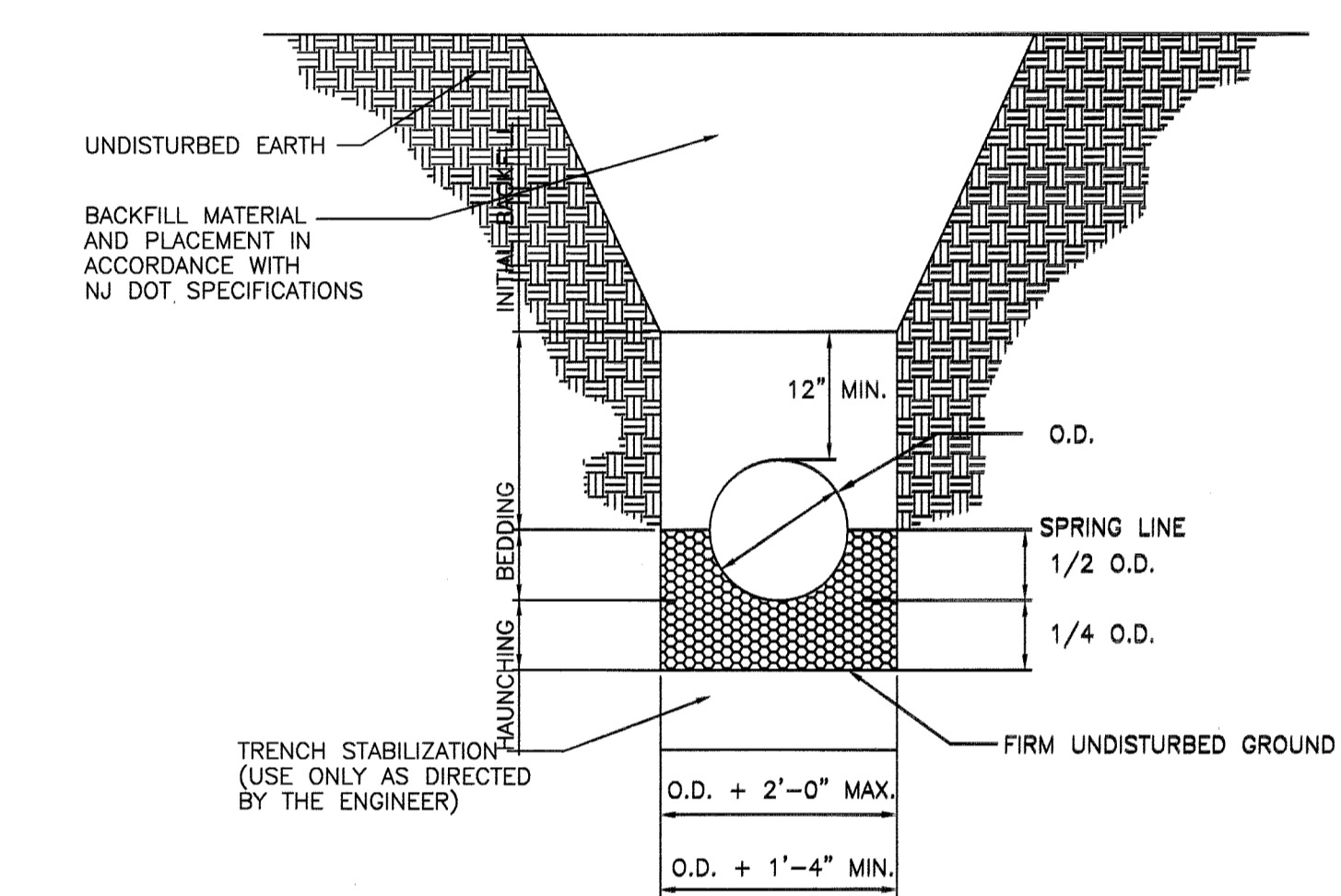
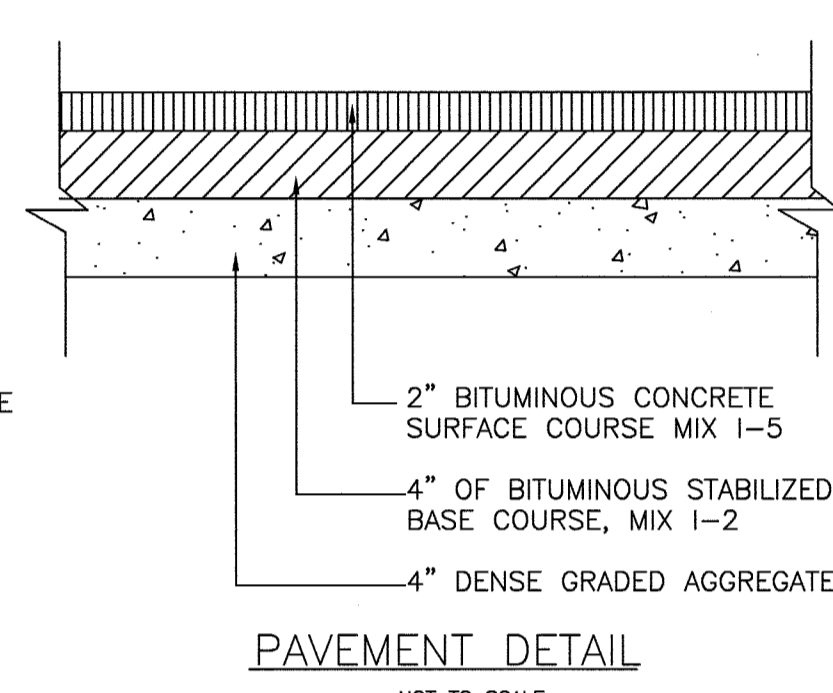
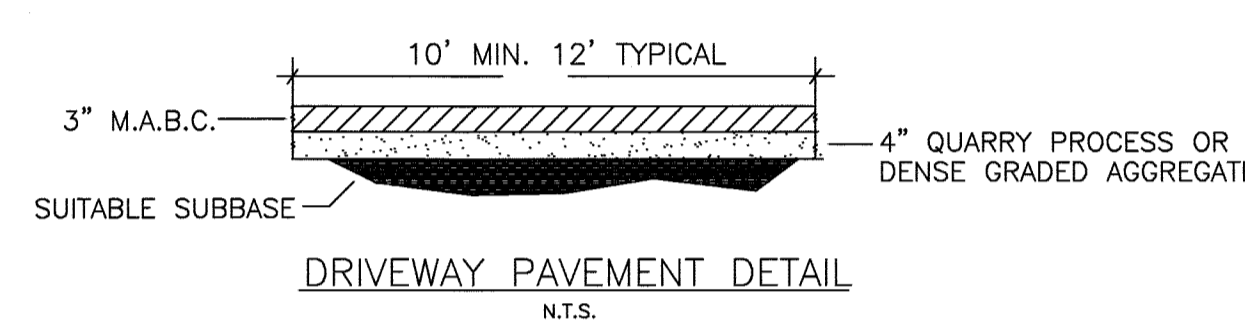
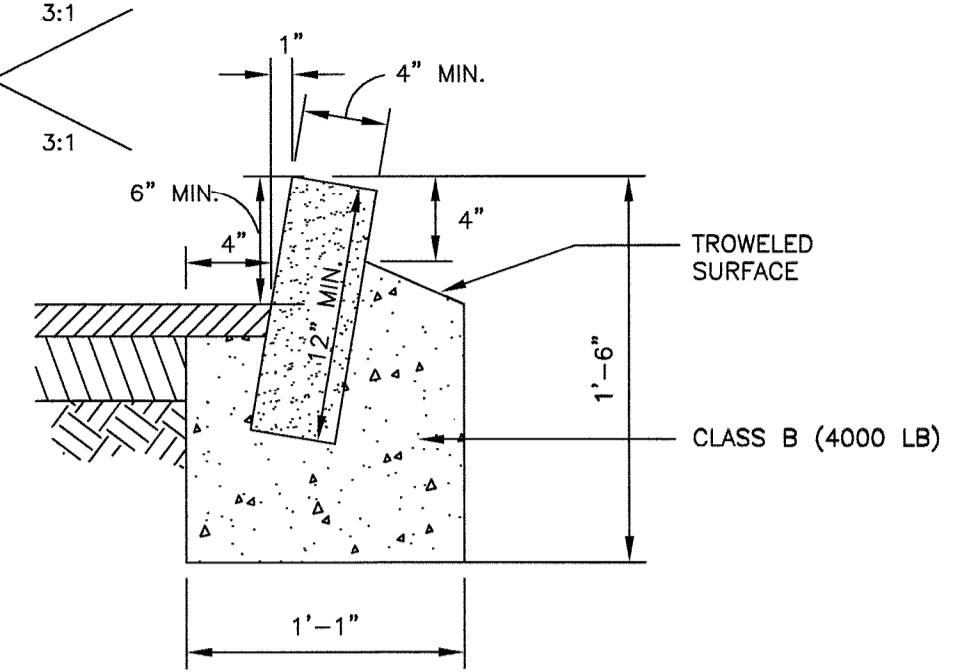
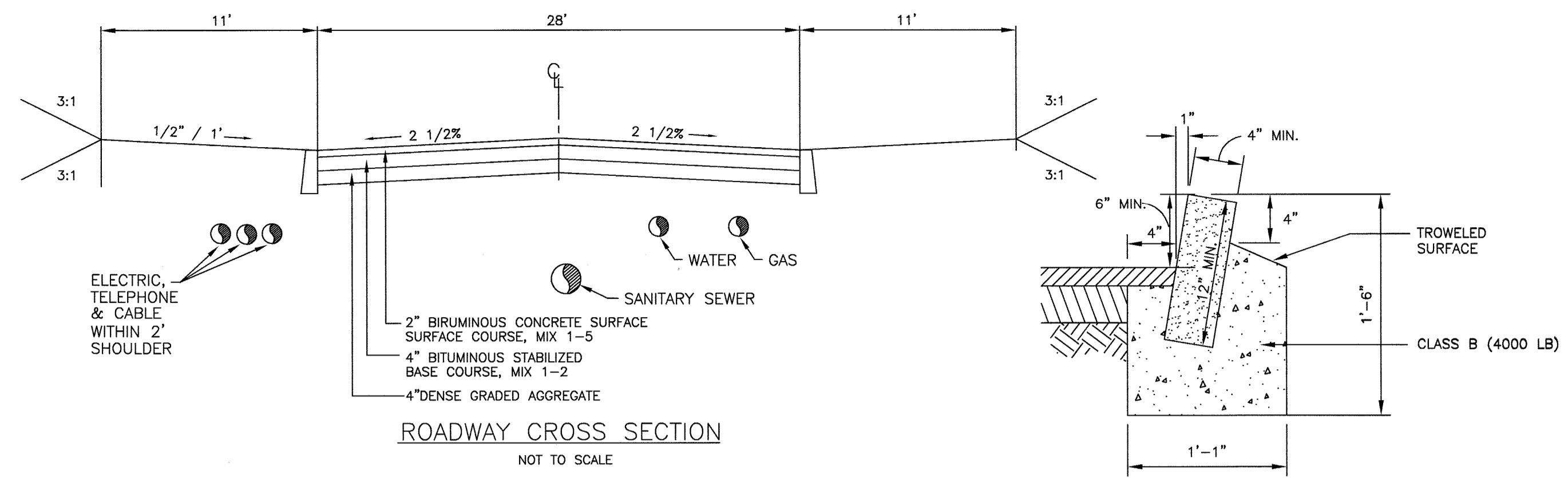


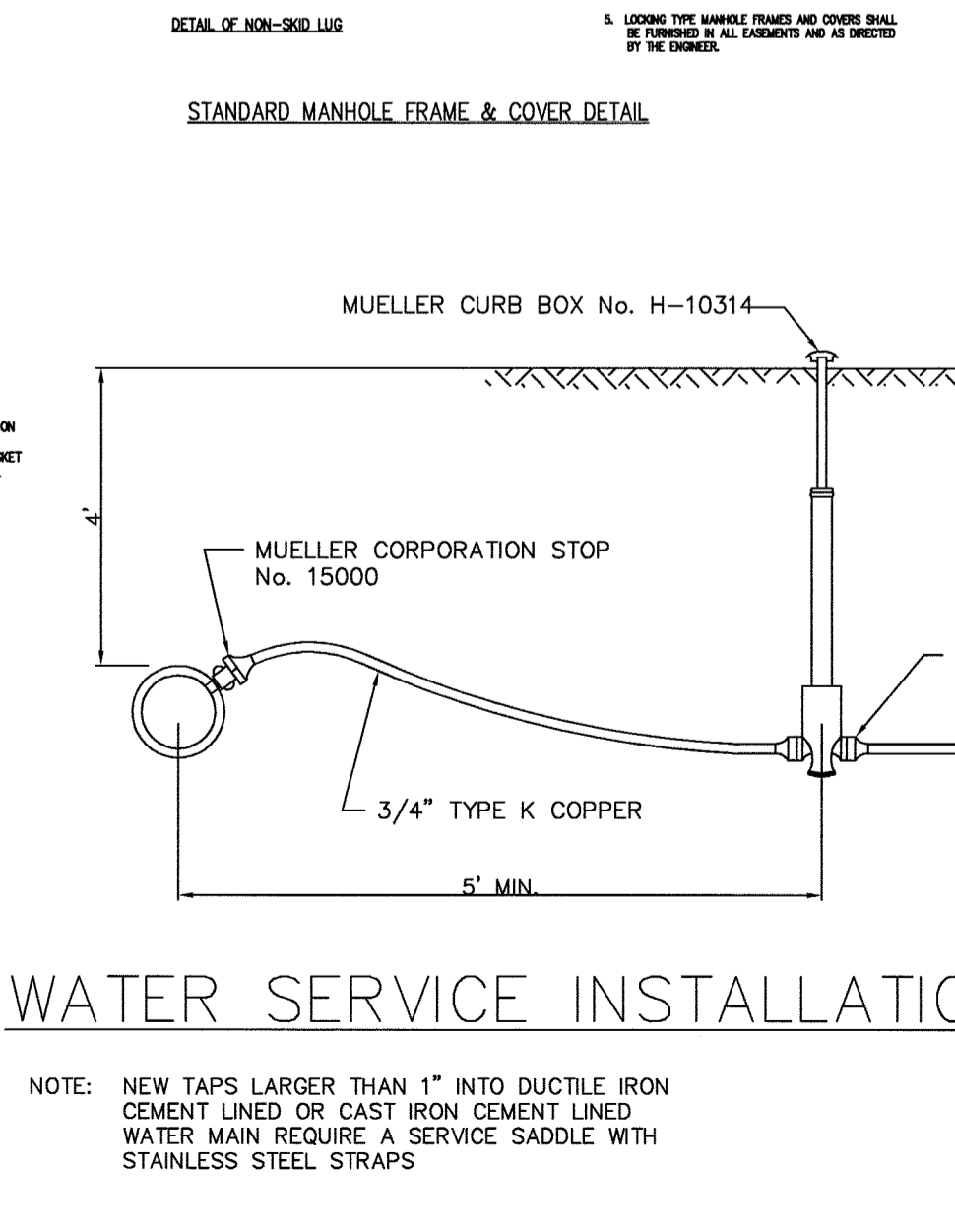
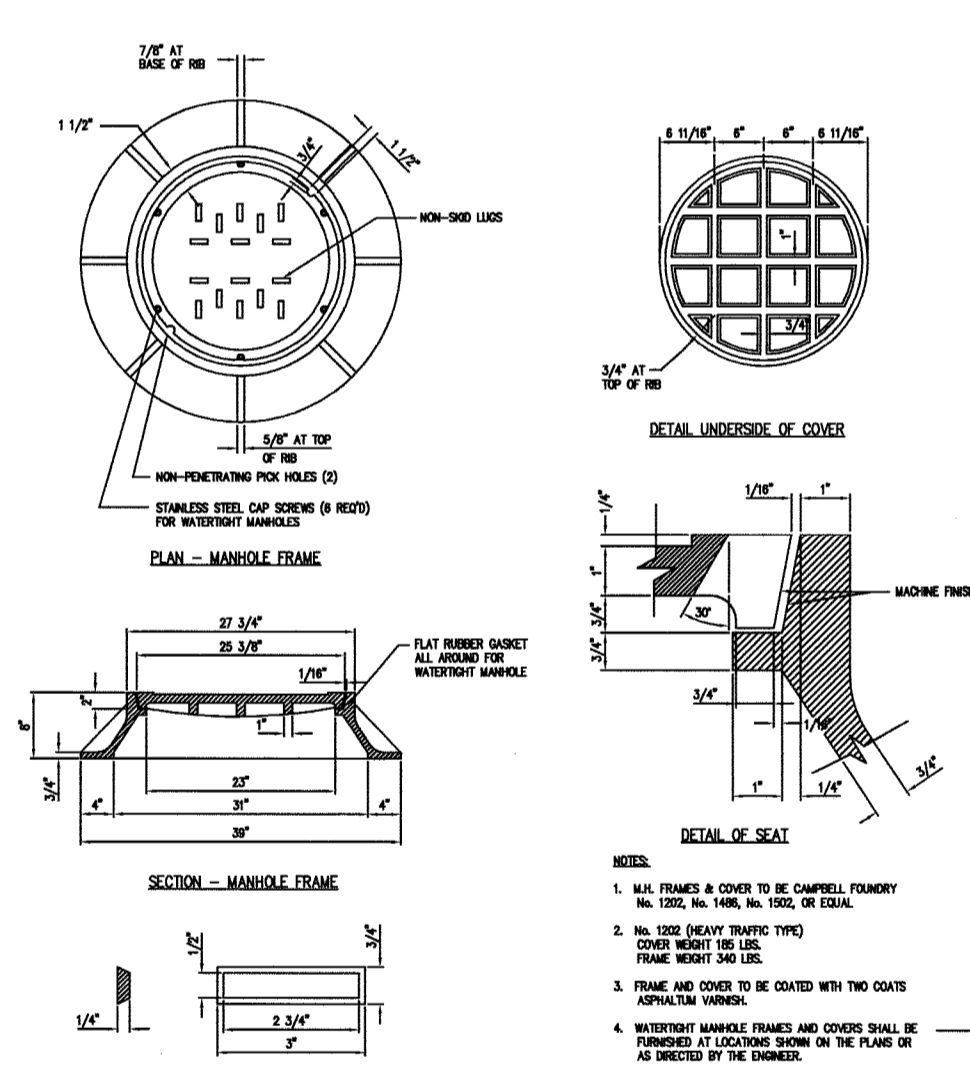
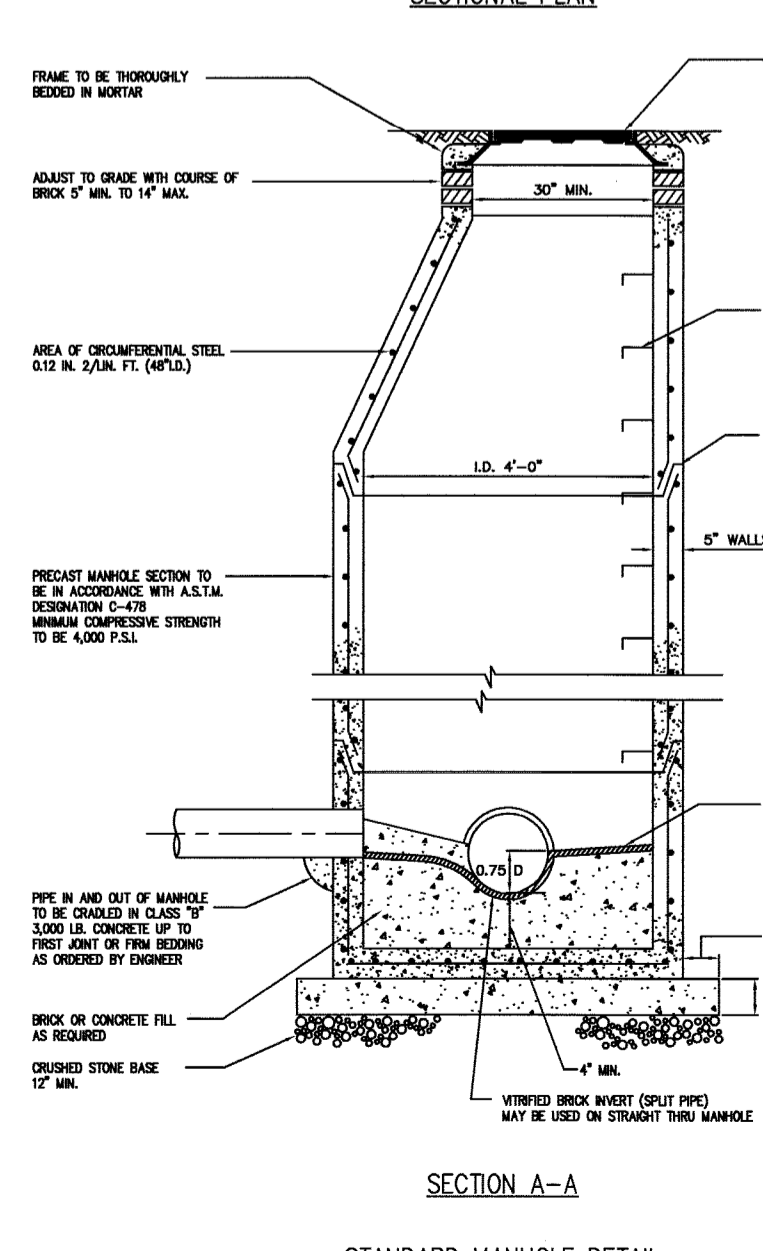
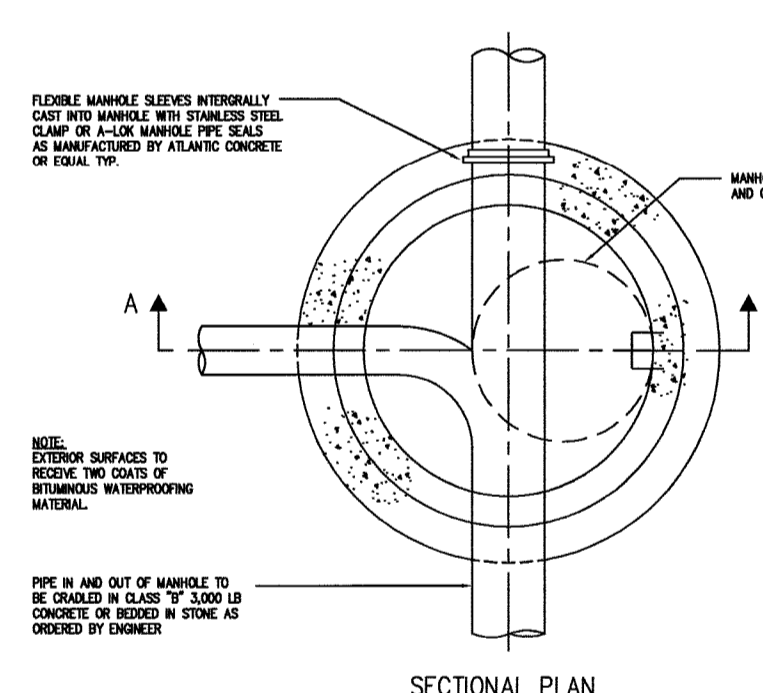
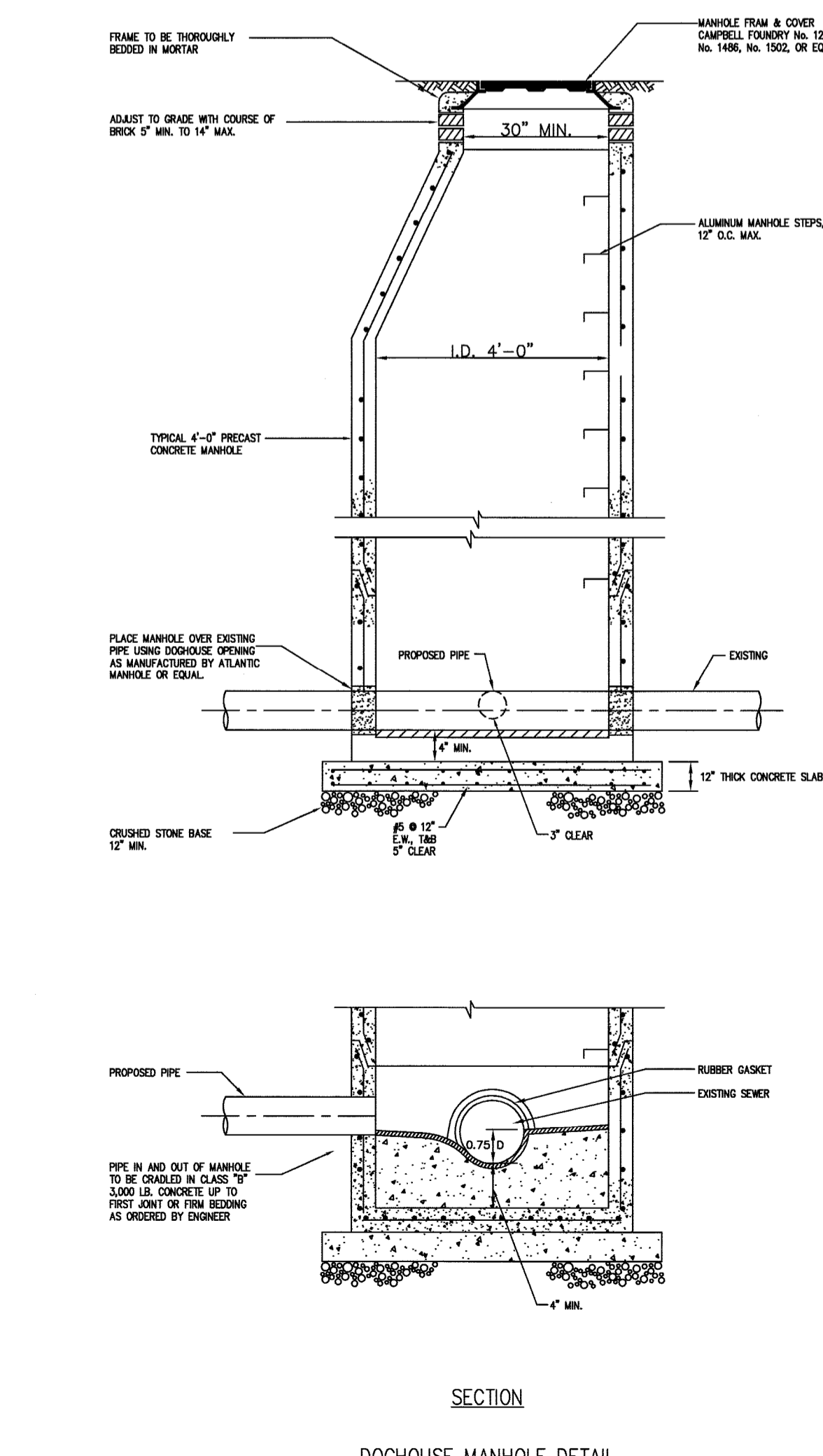
**GENERAL NOTES:**

- ALL IMPROVEMENTS UNDER THE JURISDICTION OF THE COUNTY OF UNION ARE TO BE CONSTRUCTED IN ACCORDANCE WITH UNION COUNTY SPECIFICATIONS.
- THE OFFICE OF THE COUNTY ENGINEER IS TO BE NOTIFIED SEVENTY-TWO (72) HOURS IN ADVANCE OF COMMENCEMENT OF CONSTRUCTION OF ANY IMPROVEMENTS UNDER THE JURISDICTION OF THE COUNTY OF UNION.
- ALL CONSTRUCTION SHALL BE IN ACCORDANCE WITH THE MOST RECENT N.J. DEPARTMENT OF TRANSPORTATION STANDARD SPECIFICATIONS AND SUPPLEMENTS.
- ALL CONCRETE SHALL HAVE A MINIMUM OF 28 DAY COMPRESSIVE STRENGTH OF 3,000 PSI. ALLOWABLE EXTREME FIBER STRESS IN COMPRESSION SHALL BE 1,200 PSI.
- ALL CONCRETE SHALL BE CLASS "B" AIR ENTRAINED, EXCEPT CAST-IN-PLACE BOX CULVERTS AND BRIDGE DECKS WHICH SHALL BE CLASS "A".
- ALL REINFORCING STEEL SHALL BE INTERMEDIATE GRADE, NEW DEFORMED BILLET-STEEL CONFORMING TO ASTM A615 (LATEST EDITION), GRADE 40 MINIMUM. ALLOWABLE STRESS IN TENSION SHALL BE 20,000 PSI.  
  
OR  
ALL REINFORCING STEEL SHALL BE NEW DEFORMED BILLET-STEEL CONFORMING TO ASTM A615 (LATEST EDITION), GRADE 60 MINIMUM. ALLOWABLE STRESS IN TENSION SHALL BE 24,000 PSI.
- ALL CONCRETE SHALL BE PLACED ON FIRM UNDISTURBED SOIL OR CLEAN ROCK.
- ALL EXPOSED CONCRETE EDGES SHALL HAVE A 1 INCH, 45 DEGREE CHAMFER UNLESS OTHERWISE NOTED.
- ALL REINFORCEMENT STEEL SPLICES SHALL BE A MINIMUM 30 BAR DIAMETERS UNLESS OTHERWISE NOTED.
- ALL REINFORCEMENT SHALL BE SUITABLY SUPPORTED AND SECURELY HELD IN PLACE WHILE PLACING CONCRETE.
- CONCRETE PLACING OPERATIONS SHALL NOT COMMENCE UNTIL FINAL INSPECTION AND APPROVAL OF ALL REINFORCEMENT HAS BEEN PERFORMED.
- ALL PIPES, STUBS AND/OR FITTINGS ARE TO BE MONOLITHICALLY CAST IN THE CONCRETE.
- THE SURFACE OF ALUMINUM PLATES AND FIXTURES IN CONTACT WITH CONCRETE SHALL BE PAINTED WITH A HEAVY COAT OF ALUMINUM PIGMENTED ALKALINE RESISTANT BITUMINOUS PAINT EQUAL TO MILITARY SPECIFICATION MIL-P-6883.
- THE OUTLET PIPE FOR DETENTION BASINS SHALL BE REINFORCED CONCRETE PIPE CONFORMING TO ASTM C 76 WITH RUBBER GASKETS PURSUANT TO ASTM C 443.
- THE BASIN IS TO BE SODDED OR TOPSOILED AND SEEDED, INCLUDING THE BOTTOM, SIDE SLOPES, AND ALL EMBANKMENTS.
- THE DESIGN DIMENSIONS OF THE DETENTION BASIN SHALL BE MAINTAINED THROUGHOUT CONSTRUCTION UNLESS IT IS TO BE USED AS A SILTATION BASIN DURING CONSTRUCTION IN THE WATERSHED. IF SO, IT SHALL BE IMMEDIATELY RETURNED TO DESIGN DIMENSIONS FOLLOWING THE COMPLETION OF SUCH CONSTRUCTION.



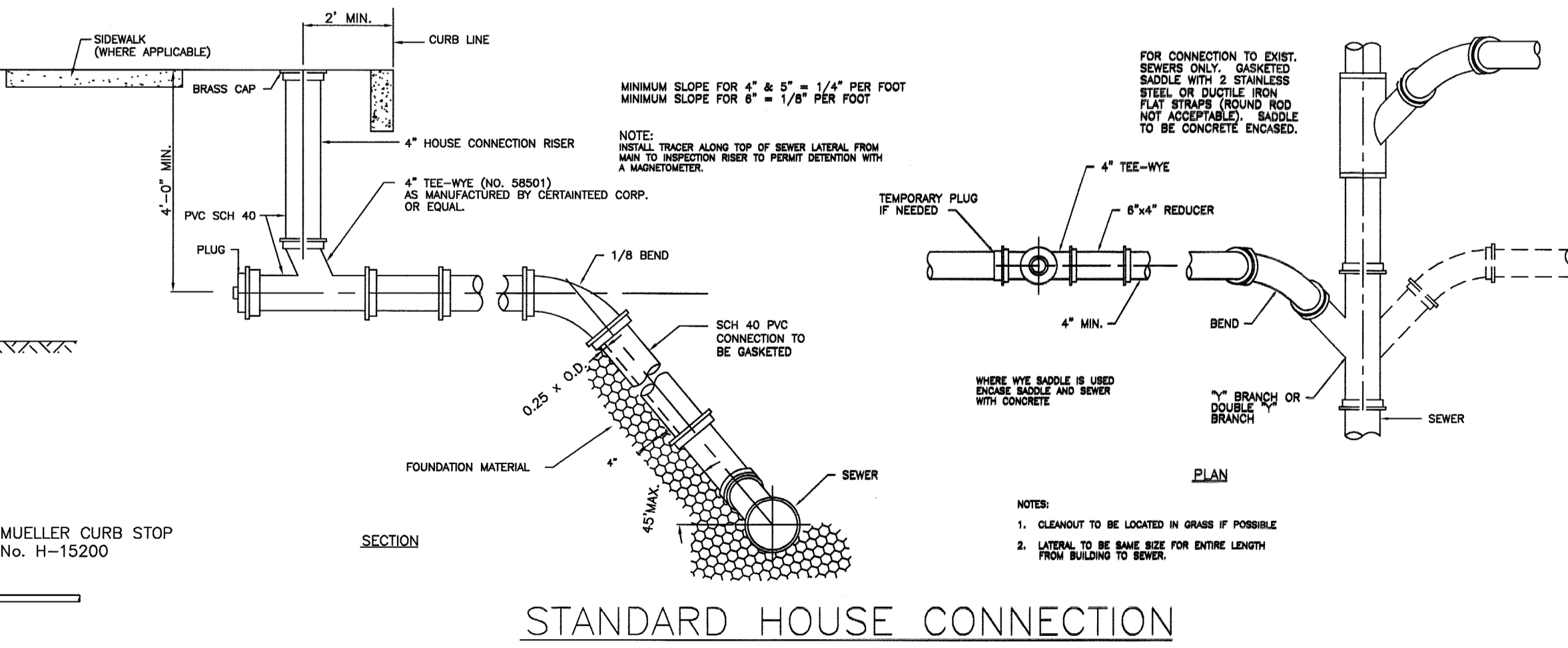
- NOTES:
- O.D. = OUTSIDE DIAMETER
  - INSTALL D.I.P. WHEN THE DEPTH OF THE INSTALLATION IS LESS THAN 3'-0" OR EXCEEDS 20'-0"

**SDR - 35 PVC SANITARY SEWER TRENCH DETAIL**



**WATER SERVICE INSTALLATION**

NOTE: NEW TAPS LARGER THAN 1" INTO DUCTILE IRON CEMENT LINED OR CAST IRON CEMENT LINED WATER MAIN REQUIRE A SERVICE SADDLE WITH STAINLESS STEEL STRAPS



**STANDARD HOUSE CONNECTION**

- NOTES:
- CLEANOUT TO BE LOCATED IN GRASS IF POSSIBLE
  - LATERAL TO BE SAME SIZE FOR ENTIRE LENGTH FROM BUILDING TO SEWER

DRAWN BY:	SP	CHECKED BY:	WGH
JOB No.	14-026		
BOOK			
SCALE	N.T.S.		
GRAPHIC SCALE			
DATE	APRIL 30, 2021		
REVISIONS	OCTOBER 20, 2021		
CERTIFICATE OF AUTHORIZATION No. 24GA27959700			
NOTES			
<b>Murphy &amp; Hollows Associates LLC</b> CIVIL ENGINEERING AND SURVEYING 331 ELM STREET, STIRLING, NJ 07980 908.980.1255 murphyhollows@gmail.com			
FINAL MAJOR SUBDIVISION PLAN WESTMINSTER PRESBYTERIAN CHURCH LOT 32 BLOCK 2006 MOUNTAIN AVENUE & PLAINFIELD AVENUE TOWNSHIP OF BERKELEY HEIGHTS UNION COUNTY NEW JERSEY CONSTRUCTION DETAILS			
<b>AIDAN T. MURPHY</b> N.J. LIC. PROFESSIONAL ENGINEER #21319 N.J. PROFESSIONAL PLANNER #2531			
<b>WILLIAM G. HOLLOWS</b> N.J. LIC. PROFESSIONAL ENGINEER & LAND SURVEYOR #27473 N.J. PROFESSIONAL PLANNER #2530			
FILE	LF14-026	SHEET	10 OF 13